

Unique Efficiency

Kassow Robots was founded in Copenhagen, Denmark, and is developing and manufacturing unique and efficient 7-axis lightweight robots for industrial applications. The company's motto is „strong, fast, simple“. Its products offer speed and power, yet also have a long reach. The robots' user-friendliness provides businesses with greater flexibility, allowing SMEs without their own robotics specialists to achieve complex automation and programming cost-effectively and independently. What is more, the robots are compact enough for use in confined spaces.



KR810
850 mm/10 kg



Contact

Kassow Robots
Oliefabriksvej 57
2770 Kastrup, DENMARK
+45 20 24 09 95
sales@kassowrobots.com
www.kassowrobots.com

Kassow Robots: Product Family

	Reach/Payload
KR810	850 mm/10 kg
KR1018	1000 mm/18 kg
KR1205	1200 mm/5 kg
KR1410	1400 mm/10 kg
KR1805	1800 mm/5 kg

You will find the technical specifications and the technical drawings in separate data sheets.

TECHNICAL SPECIFICATIONS

7-axis robots

Last revised: 09/2020

General specifications	KR810	KR1018	KR1205	KR1410	KR1805
Reach (mm)	850	1000	1200	1400	1800
Payload (kg)	10	18	5	10	5
Weight (kg)	24	34	25	35	38
Joint Speed (deg/sec)	225	170/225	225	170/225	170/225
Joint Ranges (deg)	J2 and J4: -70°/+180°; J1, J3, J5, J6 and J7: ±360°				
Brakes on joints	Yes	Yes	Yes	Yes	Yes
Absolute encoders on joints	Yes	Yes	Yes	Yes	Yes
Repeatability (mm)	+/- 0.1	+/- 0.1	+/- 0.1	+/- 0.1	+/- 0.1
Degrees of freedom	7	7	7	7	7
Foot print (mm)	130x130	160x160	130x130	160x160	160x160
Operating temperature (C°)	0-45	0-45	0-45	0-45	0-45
Body material	Anodized aluminum				
Protection rating	IP54	IP54	IP54	IP54	IP54

Controller	KR810	KR1018	KR1205	KR1410	KR1805
Digital outputs 24V (pcs)	8	8	8	8	8
Relay outputs (pcs)	4	4	4	4	4
Digital inputs 3-30V (pcs)	16	16	16	16	16
Analogue I/O 0-10V (pcs)	2/2	2/2	2/2	2/2	2/2
Analogue I/O 4-20mA (pcs)	2/2	2/2	2/2	2/2	2/2

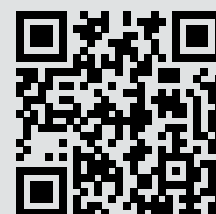
Power	KR810	KR1018	KR1205	KR1410	KR1805
Power consumption (with max. load; W)	400-600	400-1200	400-600	400-1200	400-1200
Supply Voltage (VAC)	100-120 or 200-240	100-120 or 200-240	100-120 or 200-240	100-120 or 200-240	100-120 or 200-240
Supply Current (A)	16	16	16	16	16
Supply frequency (Hz)	50/60	50/60	50/60	50/60	50/60
Max speed (mm/s)	1200/1800	2000/2400	1200/1800	2000/2400	2000/2400
Absolute encoders on joints	Yes	Yes	Yes	Yes	Yes
Sound level (dB) Below	70	70	70	70	70

Data Sheet (Technical Specifications) - EN - September 2020



Kassar Robots: Product Family

	Reach/Payload
KR810	850 mm/10 kg
KR1018	1000 mm/18 kg
KR1205	1200 mm/5 kg
KR1410	1400 mm/10 kg
KR1805	1800 mm/5 kg



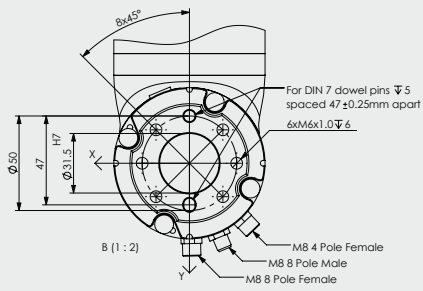
Contact

Kassar Robots
Oliefabriksvej 57
2770 Kastrup, Denmark
+45 20 24 09 95
sales@kassarrobots.com
www.kassarrobots.com

Robot frames, kinematics and mechanical interfaces

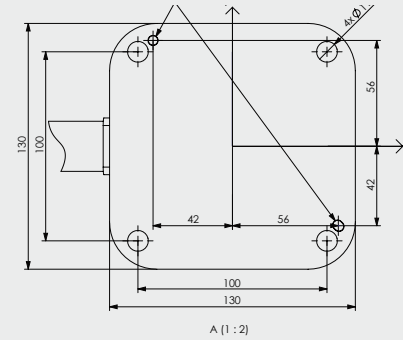
All cobots

Tool head with connections



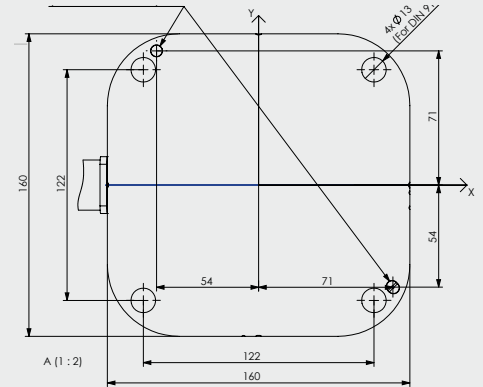
KR810, KR1205

Based plate dimensions



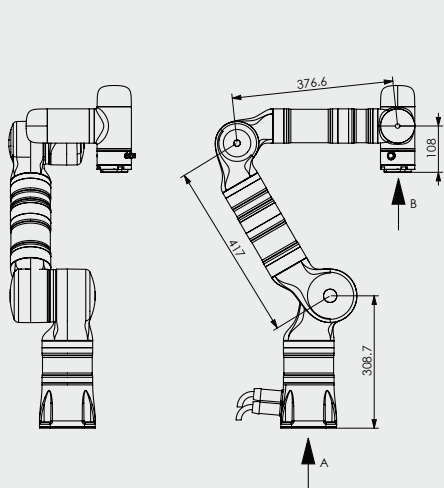
KR1018, KR1410, KR1805

Based plate dimensions



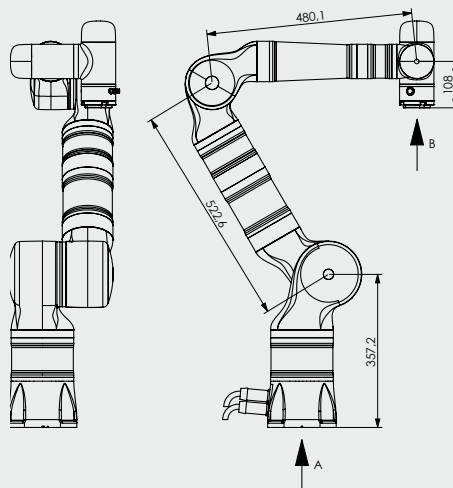
KR810

Dimensions



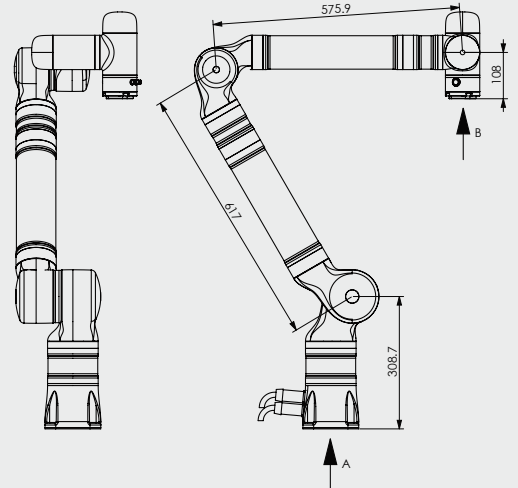
KR1018

Dimensions



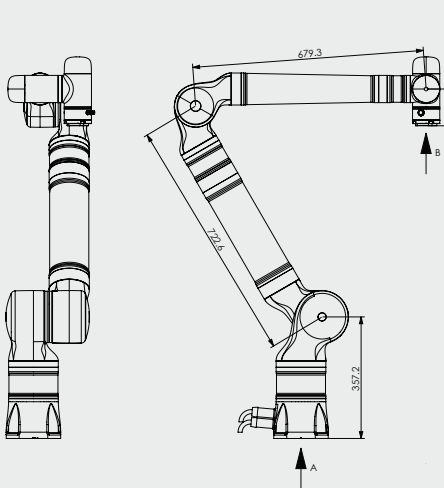
KR1205

Dimensions



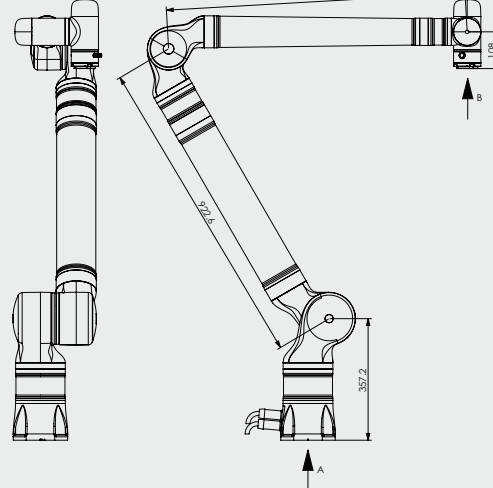
KR1410

Dimensions



KR1805

Dimensions



7-axis cobot family

KR810	850 mm/10 kg
KR1018	1000 mm/18 kg
KR1205	1200 mm/5 kg
KR1410	1400 mm/10 kg
KR1805	1800 mm/5 kg

Kassow Robots
Oliefabriksvej 57
2770 Kastrup, Denmark
+45 20 24 09 95
sales@kassowrobots.com
www.kassowrobots.com