

# Nickel-Plated Brass Push-In Fittings Series 6000

Tube Diameter OD : 1/8", 5/32", 1/4", 5/16", 3/8", 1/2", 3/4", 1", 1 1/4", 1 1/2", 1 3/4", 2", 2 1/2", 3", 4", 5", 6", 8", 10", 12", 14 or 16 mm  
 Thread Type : 10-32 UNF, 1/8", 1/4", 3/8", 1/2", 3/4" NPTF, BSP, Pro-Fit®, or Sprint®  
 (Reusable PTFE/Teflon thread seal)

PUSH-IN FITTINGS



Camozzi's all metal fittings are 100% electrolytic nickel-plated brass. Full ID tube flow is always maintained for maximum Cv ratings and quick cycle times. "Push-in" and lock the tube quickly and effortlessly.

Connection and disconnection of the tube can be repeated several times and can be performed using one hand and without the use of tools.

Fittings also available in coated thread sealant, Loctite Vibra-Seal 516 (use "C" prefix in part code, see tables for available models).

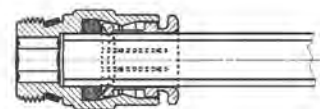
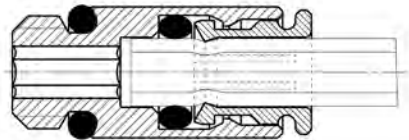
## Pro-Fit® and Sprint® Torque Specifications

Thread Size	Minimum Torque		Maximum Torque	
	N-m	lb-ft	N-m	lb-ft
M5 [10-32 UNF]	0.400	0.295	2.000	1.475
1/8 NPTF or BSP	2.000	1.475	10.000	7.376
1/4 NPTF or BSP	4.000	2.950	20.000	14.751
3/8 NPTF or BSP	5.000	3.688	20.000	14.751
1/2 NPTF or BSP	8.000	5.900	40.000	29.502

## GENERAL DATA

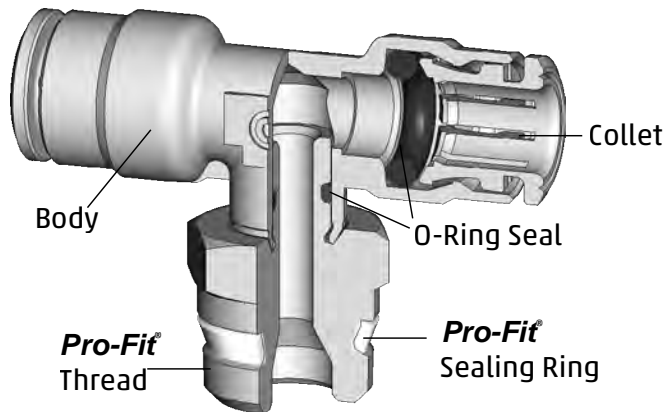
<b>Material</b>	Body and collet: nickel-plated brass, (UNI 5705 OT58) O-Ring: NBR (standard); Viton and EPDM available on request thread seal: PTFE - NBR - PA; Loctite Vibra-Seal 516 (red)
<b>Threads</b>	10-32 UNF, 1/8", 1/4", 3/8", 1/2" NPTF, Pro-Fit® M3 - M5 - M7 - G1/8 - G1/4 - G3/8 - G1/2 - G3/4, Sprint®, GAS conical ISO 7 (BSPT), GAS cylindrical ISO 228 (BSP) *M5-M6 and other metric threads available on request
<b>Pressure</b>	min -0.9 bar - max 16 bar (28" Hg vacuum to 250 psi) (see tubing)
<b>Tube to connect</b>	Nylon 6, 11 or 12, polyethylene, PU, (Polyurethane recommended 90A durometer and above) Hytrel Polyester
<b>Tube Diameters OD</b>	Inch tubing: 1/8" - 5/32" - 1/4" - 5/16" - 3/8" - 1/2" Metric tubing: ø 3 - 4 - 5 - 6 - 8 - 10 - 12 - 14 - 16 mm
<b>Fluid</b>	compressed air (for other types of fluid, contact our engineers)
<b>Temperature</b>	-20°C - 80°C, -4 F to 175 F (see data for tubing used) Micro: -10°C - 80°C (14 F to 175 F) (see data for tubing used)

## Fitting with connecting tube

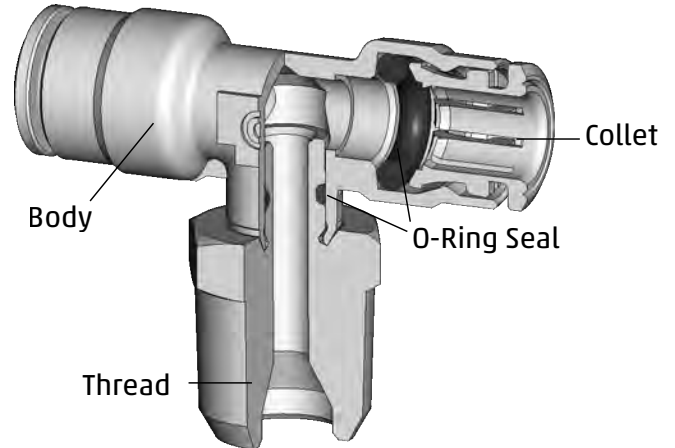


# Nickel-Plated Brass Push-In Fittings Series 6000

## Pro-Fit® Style NPTF Thread



## Standard NPTF & NPTF Coated Thread



### Features

#### Collet

- Nickel-Plated, All-metal Collet and Release ring
- Collet design offers greater grip strength under higher pressure or tubing tension
- Collet release mechanism based on relaxed slope of grip teeth, as opposed to disengaging "bite-rings" from partially cut tubes
- Removable Collet and tube o-rings

#### Body

- All-Metal, Nickel-Plated body and Threads
- Compact Brass bodies from Brass forgings
- Standard Buna-N or Specialized O-ring choices for High-Temp, Low-Temp, Special Fluids, Food-Grade compatibility
- Broad Range of shapes and configurations
- Crimp design on Swivels maintains Full ID Flow path
- Swivels offer Mechanical crimping lock based on cold-forged brass and not spin-swaged or "thinned" brass
- Full ID Flow for Swivels and Straights, with high relief on larger sizes
- Internal Hex on Straight fittings

#### Pro-Fit® Thread Design

- Low Profile Fit
- Fast Installation
- Perfect Reusable Seal

### Benefits

#### Collet

- Won't break like plastic release rings and bodies; More Durable design
- Higher holding force, with easier release
- Won't scratch tubes like "bite-ring" designs
- Less chance of micro-leakage and bubble-leaks over time due to damaged tubing
- Higher pressures actually offer greater grip-strength with high-pressure Nylon tubing
- OD Tube Size stamped on Collet face

#### Body

- Resistant to UV exposure
- Better resistance to stress-cracking, abrasion, solvents, detergents, hydrocarbons and other fluid media
- FDA/NSF approved materials, ( Including customized Nickel-Plating and o-ring options) available on request
- Simplified manifold circuits with broader variety of fitting combinations and shapes to select
- Lighter weight for End-of-Arm tooling & Robotic handling,
- Compact design reduces overall dimensions for valve assemblies, packaging applications and control cabinets
- 12% Reduction in overall Body size, compared to previous Brass line
- Full ID Flow and high relief undercuts offers greatest flow without restriction to circuit design flow calculations

#### Pro-Fit® Thread Design

- Eliminates exposed threads and fits into tight spaces, making them ideal for food processing and hygienic applications.
- Eliminates the need for Teflon® tape or pipe dope. Shorter thread length requires fewer turns to tighten.
- The captured Teflon® sealing ring provides a dependable and reusable shoulder seal without the risk of thread sealant contamination.

Fittings Model P6510 and S6510...

Pro-Fit® or Sprint® Male Connector

**INCH Tube Fittings**

**DIMENSIONS (in inches)**

Model	A OD	D NPTF	C	F	G	H	L	SW	SW1
P6510 02-02	1/8	1/8	0.177	0.346	0.551	0.197	0.728	0.472	0.098
P6510 02-04	1/8	1/4	0.256	0.346	0.630	0.256	0.807	0.551	0.098
P6510 53-02	5/32	1/8	0.177	0.346	0.551	0.197	0.728	0.472	0.098
P6510 53-04	5/32	1/4	0.256	0.346	0.630	0.256	0.807	0.551	0.098
P6510 04-02	1/4	1/8	0.189	0.461	0.551	0.197	0.827	0.472	0.157
P6510 04-04	1/4	1/4	0.228	0.461	0.630	0.256	0.866	0.551	0.157
P6510 04-06	1/4	3/8	0.268	0.461	0.866	0.295	0.906	0.748	0.157
P6510 05-02	5/16	1/8	0.276	0.539	0.630	0.197	0.965	0.551	0.197
P6510 05-04	5/16	1/4	0.276	0.539	0.630	0.256	0.965	0.551	0.236
P6510 05-06	5/16	3/8	0.256	0.539	0.866	0.295	0.945	0.748	0.236
P6510 06-02	3/8	1/8	0.315	0.606	0.776	0.197	1.102	0.669	0.197
P6510 06-04	3/8	1/4	0.335	0.606	0.776	0.256	1.122	0.669	0.276
P6510 06-06	3/8	3/8	0.177	0.606	0.866	0.295	0.965	0.748	0.276
P6510 06-08	3/8	1/2	0.217	0.606	1.004	0.335	1.004	0.866	0.276
P6510 08-04	1/2	1/4	0.346	0.720	0.866	0.256	1.102	0.748	0.276
P6510 08-06	1/2	3/8	0.346	0.720	0.866	0.295	1.102	0.748	0.394
P6510 08-08	1/2	1/2	0.248	0.720	1.004	0.335	1.004	0.866	0.394

**METRIC Tube Fittings**

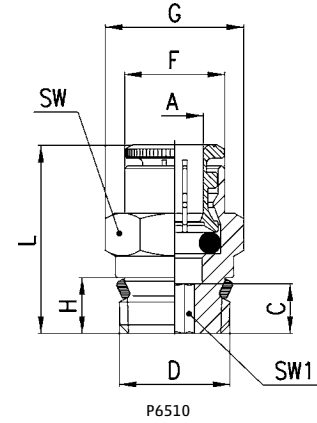
**DIMENSIONS (in mm)**

Model	A	D	C	F	G	H	L	SW	SW1	Weight (g)
S6510 4-1/8	4	G1/8	3.8	8.8	13.2	5.5	18	12	2.5	9
S6510 4-1/4	4	G1/4	5.5	8.8	15.2	7	19.5	14	2.5	15
S6510 5-1/8	5	G1/8	3.8	9.8	13.2	5.5	19	12	3	8
S6510 5-1/4	5	G1/4	5.5	9.8	15.2	7	20	14	3	14
S6510 6-1/8	6	G1/8	6	11.7	13.2	5.5	22	12	4	10
S6510 6-1/4	6	G1/4	5.5	11.7	15.2	7	21	14	4	14
S6510 6-3/8	6	G3/8	6.5	11.7	20.5	8	22.5	19	4	27
S6510 8-1/8	8	G1/8	7.5	13.7	15.2	5.5	25	14	5	13
S6510 8-1/4	8	G1/4	6.5	13.7	15.2	7	24	14	6	14
S6510 8-3/8	8	G3/8	6	13.7	20.5	8	23.5	19	6	25
S6510 8-1/2	8	G1/2	7.5	13.7	24.5	9	25	22	6	43
S6510 10-1/4	10	G1/4	8.3	15.4	18.5	7	28.5	17	7	23
S6510 10-3/8	10	G3/8	5.3	15.4	20.5	8	25.5	19	8	27
S6510 10-1/2	10	G1/2	4.8	16	24.5	9	25	22	8	39
S6510 12-1/4	12	G1/4	10.3	18.3	20.5	7	29.5	19	7	26
S6510 12-3/8	12	G3/8	9.3	18.3	20.5	8	28.5	19	9	30
S6510 12-1/2	12	G1/2	5.8	18.3	24.5	9	25	22	10	36
S6510 14-3/8	14	G3/8	10.3	20.5	24.5	8	30.5	22	9	42
S6510 14-1/2	14	G1/2	6.3	20.5	24.5	9	26.5	22	12	34
S6510 16-1/2	16	G1/2	9	23.5	26.5	9	32	24	-	42
S6510 16-3/4	16	G3/4	3.5	23.5	27.3	9	26.5	24	-	46

**INCH Tube Fittings**



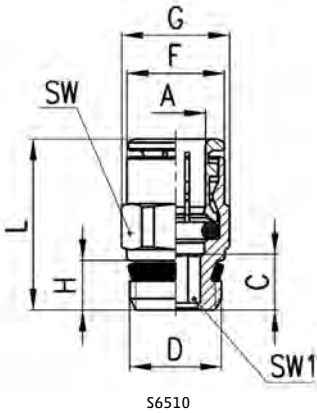
P6510



**METRIC Tube Fittings**



S6510



Micro Fitting Model P6510

Pro-Fit® Micro Barrel Connector

**INCH TUBING**

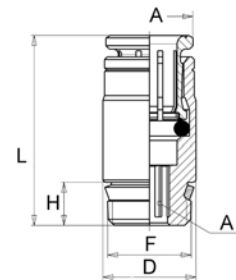
**DIMENSIONS (in inches)**

Model	A OD	D NPTF	F	H	L	SW
P6510 04-02-M	1/4	1/8	.425	.197	.866	.157



P6510

**INCH Tube Fittings**



P6510

## Fittings Models 6512 and 6510...

## Full Thread Male Connector

## INCH Tube Fittings

## DIMENSIONS (in inches)

Model	A	D	C	F	G	H	L	SW	SW1
	OD	UNF							
6512 02-32	1/8	10-32	0.236	0.307	0.363	0.157	0.787	0.315	0.078
6512 53-32	5/32	10-32	0.236	0.307	0.363	0.157	0.787	0.315	0.078
6512 04-32	1/4	10-32	0.228	0.460	0.577	0.157	0.846	0.472	0.078
		NPTF							
6510 02-02	1/8	1/8	0.197	0.346	0.551	0.315	0.748	0.472	0.098
6510 02-04	1/8	1/4	0.354	0.346	0.630	0.472	0.906	0.551	0.098
6510 53-02	5/32	1/8	0.197	0.346	0.551	0.315	0.748	0.472	0.098
6510 53-04	5/32	1/4	0.354	0.346	0.630	0.472	0.906	0.551	0.098
6510 04-02	1/4	1/8	0.287	0.461	0.551	0.315	0.925	0.472	0.157
6510 04-04	1/4	1/4	0.406	0.461	0.630	0.472	1.043	0.551	0.157
6510 04-06	1/4	3/8	0.425	0.461	0.866	0.472	1.063	0.748	0.157
6510 05-02	5/16	1/8	0.394	0.539	0.630	0.315	1.083	0.551	0.197
6510 05-04	5/16	1/4	0.413	0.539	0.630	0.472	1.102	0.551	0.236
6510 05-06	5/16	3/8	0.413	0.539	0.866	0.472	1.102	0.748	0.236
6510 06-02	3/8	1/8	0.394	0.606	0.776	0.315	1.181	0.669	0.157
6510 06-04	3/8	1/4	0.551	0.606	0.776	0.472	1.339	0.669	0.276
6510 06-06	3/8	3/8	0.354	0.606	0.866	0.472	1.142	0.748	0.276
6510 06-08	3/8	1/2	0.374	0.606	1.004	0.610	1.161	0.866	0.276
6510 08-04	1/2	1/4	0.563	0.720	0.866	0.472	1.299	0.748	0.276
6510 08-06	1/2	3/8	0.484	0.720	0.866	0.472	1.240	0.748	0.394
6510 08-08	1/2	1/2	0.425	0.720	1.004	0.610	1.181	0.866	0.394

\*add 'C' for sealant coated fittings (e.g. 6510 02-02 becomes C6510 02-02)

## METRIC Tube Fittings

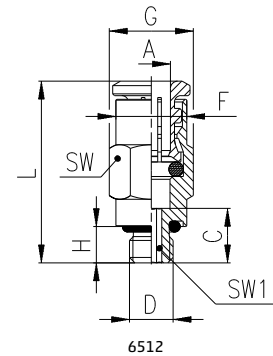
## DIMENSIONS (in mm)

Model	A	D	C	F	G	H	L	SW	SW1	Weight (g)
6512 4-M5	4	M5	6	7.8	8.8	4	20	8	2	4
6512 4-M6	4	M6	6.5	8.8	9.9	4.5	20.5	9	2.5	6
6512 4-1/8	4	G1/8	5	8.8	13.5	6	19	12	2.5	10
6512 4-1/4	4	G1/4	6.5	8.8	16.4	7	20.5	15	2.5	14
6512 5-M5	5	M5	6	8.8	9.9	4	21	9	2	5
6512 6-M5	6	M5	6	11.7	13.2	4	22	12	2	8
6512 6-M6	6	M6	6.5	11.7	13.2	4.5	22.5	12	2.5	8
6512 6-1/8	6	G1/8	5	11.7	13.5	6	21	12	4	10
6512 6-1/4	6	G1/4	6	11.7	16.4	7	22	15	4	13
6512 8-1/8	8	G1/8	8.5	13.7	15.2	6	26	14	5	15
6512 8-1/4	8	G1/4	7	13.7	16.4	7	24.5	15	6	17
6512 8-3/8	8	G3/8	6.5	13.7	20.5	7	23	19	6	27
6512 10-1/4	10	G1/4	9.8	15.4	18.5	7	30	17	7	26
6512 10-3/8	10	G3/8	5.3	15.4	20.5	7	24.5	19	8	27
6512 10-1/2	10	G1/2	20.2	15.4	24.8	8	25	22	8	39
6512 12-1/4	12	G1/4	10.5	18.3	20.5	7	29.5	19	7	29
6512 12-3/8	12	G3/8	5.8	18.3	20.5	7	24	19	9	24
6512 12-1/2	12	G1/2	19.2	18.3	24.8	8	24.5	22	9	37
6512 14-3/8	14	G3/8	20.2	20.5	24.5	7	30.5	22	10	38
6512 14-1/2	14	G1/2	20.2	20.5	24.8	8	25.5	22	10	35
6512 16-1/2	16	G1/2	23.0	23.5	26.5	8	33.5	24	-	49

## INCH Tube Fittings



6512



6512

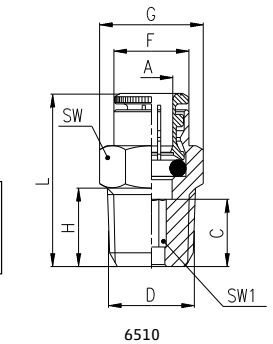


6510

= with O-Ring



C6510

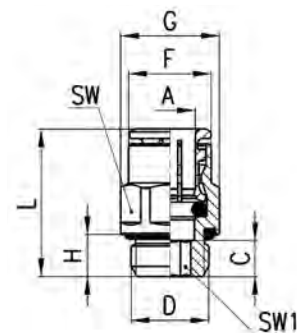


6510

## METRIC Tube Fittings



6512



6512

Fittings Model 6512 Micro

Micro Barrel Connector

**INCH Tube Fittings**

**DIMENSIONS (in inches)**

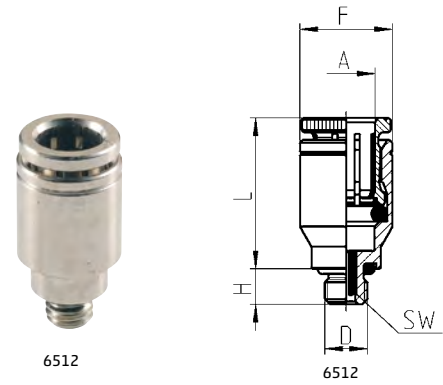
Model	A OD	D	F	H	L	SW
6512 02-32-M	1/8	10-32 UNF	0.307	0.157	0.630	0.079
6512 04-32-M	1/4	10-32 UNF	0.409	0.157	0.669	0.079
6512 04-M5-M	1/4	M5	0.409	0.157	0.669	0.079
6512 04-M7-M	1/4	M7	0.413	0.197	0.669	0.157

**METRIC Tube Fittings**

**DIMENSIONS (in mm)**

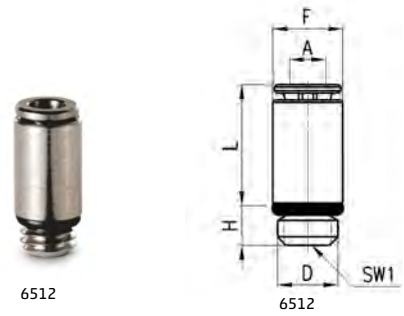
Model	A	D	F	H	L	SW1	Weight (g)
6512 3-M3	3	M3	5.8	2.5	10.2	1.5	1
6512 3-M5	3	M5	5.8	3.5	10	2	1
6512 4-M7-M	4	M7	9.4	5	17.5	2.5	5
6512 4-1/8-M	4	G1/8	11.2	5	13	2.5	9
6512 6-M7-M	6	M7	10.4	5	17	4	7
6512 6-1/8-M	6	G1/8	11.2	5	14	4	7
6512 8-1/8-M	8	G1/8	12.4	5	18.5	5	10
6512 10-1/4-M	10	G1/4	14.8	6	21	7	16

**INCH Tube Fittings**



= with gasket  
= with O-Ring

**METRIC Tube Fittings**



= with gasket  
= with O-Ring

Fittings Model 6110 and Model S6110

45° Swivel Elbow

**INCH Tube Fittings**

**DIMENSIONS (in inches)**

Model	A OD	D NPTF	E	F	H	L	M	SW	SW1
6110 04-02	1/4	1/8	0.630	0.500	0.315	1.555	0.827	0.433	0.472
6110 04-04	1/4	1/4	0.748	0.500	0.472	1.713	0.827	0.433	0.551
6110 06-04	3/8	1/4	0.847	0.650	0.472	1.969	1.043	0.591	0.669
6110 06-06	3/8	3/8	0.748	0.650	0.472	1.969	1.043	0.591	0.748

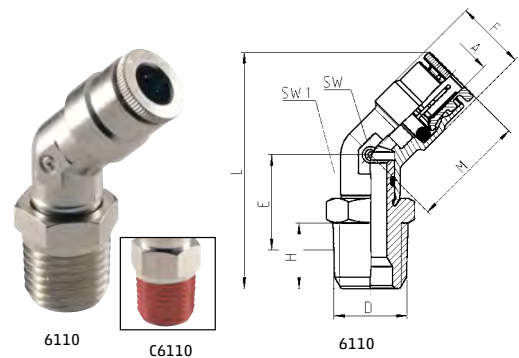
\*add 'C' for sealant coated fittings (e.g. 6110 04-02 becomes C6110 04-02)

**METRIC Tube Fittings**

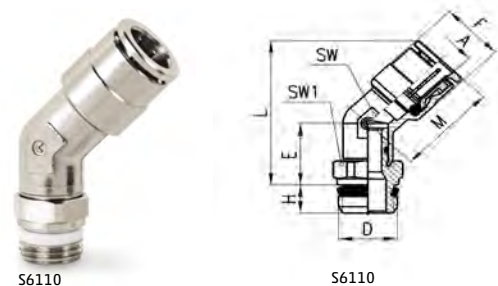
**DIMENSIONS (in mm)**

Model	A	D	E	F	H	L	M	SW	SW1	Weight (g)
S6110 6-1/8	6	G1/8	14	12.7	5.5	32.5	20.5	11	12	21
S6110 6-1/4	6	G1/4	14	12.7	7	34.5	20.5	11	14	25
S6110 8-1/8	8	G1/8	14	14.2	5.5	32.5	22.5	11	12	21
S6110 8-1/4	8	G1/4	14	14.2	7	34.5	22.5	11	14	26
S6110 8-3/8	8	G3/8	14.5	14.2	8	35	22.5	11	19	38
S6110 10-1/4	10	G1/4	15.5	16.5	7	39.5	26.5	15	17	39
S6110 10-3/8	10	G3/8	15.5	16.5	8	39.5	26.5	15	19	44
S6110 10-1/2	10	G1/2	16	16.5	9	40	26.5	15	22	57
S6110 12-1/4	12	G1/4	15.5	19.5	7	40.5	26.5	15	17	41
S6110 12-3/8	12	G3/8	15.5	19.5	8	40.5	26.5	15	19	46
S6110 12-1/2	12	G1/2	16	19.5	9	41	26.5	15	22	59

**INCH Tube Fittings**



**METRIC Tube Fittings**



## Fittings Model P6520 and S6520...

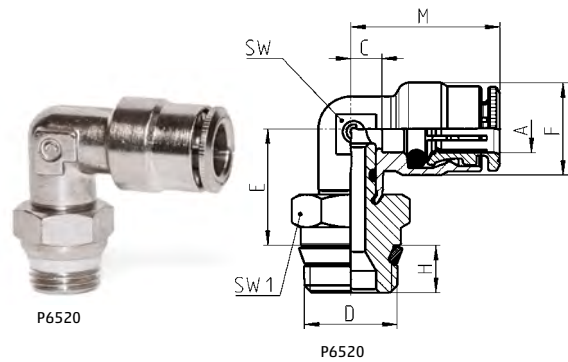
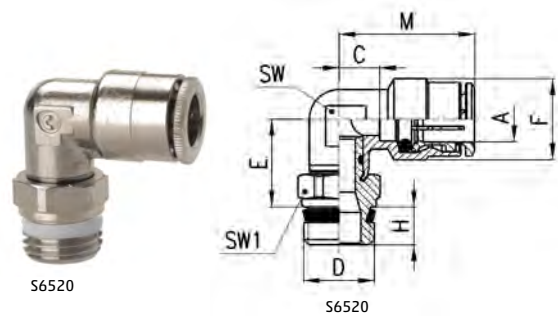
Pro-Fit® or Sprint® Male Elbow Swivel

**INCH Tube Fittings****DIMENSIONS (in inches)**

Model	A OD	D NPTF	C	E	F	H	M	SW	SW1
P6520 02-02	1/8	1/8	0.138	0.591	0.354	0.197	0.689	0.315	0.472
P6520 02-04	1/8	1/4	0.138	0.630	0.354	0.256	0.689	0.315	0.551
P6520 53-02	5/32	1/8	0.138	0.591	0.354	0.197	0.689	0.315	0.472
P6520 53-04	5/32	1/4	0.138	0.630	0.354	0.256	0.689	0.315	0.551
P6520 04-02	1/4	1/8	0.157	0.630	0.500	0.197	0.787	0.354	0.472
P6520 04-04	1/4	1/4	0.157	0.650	0.500	0.256	0.787	0.354	0.551
P6520 04-06	1/4	3/8	0.157	0.650	0.500	0.295	0.787	0.354	0.748
P6520 05-02	5/16	1/8	0.197	0.650	0.559	0.197	0.886	0.433	0.472
P6520 05-04	5/16	1/4	0.197	0.689	0.559	0.256	0.886	0.433	0.551
P6520 05-06	5/16	3/8	0.197	0.689	0.559	0.295	0.886	0.433	0.748
P6520 06-02	3/8	1/8	0.256	0.748	0.650	0.197	1.043	0.512	0.551
P6520 06-04	3/8	1/4	0.236	0.768	0.650	0.256	1.024	0.512	0.551
P6520 06-06	3/8	3/8	0.236	0.768	0.650	0.295	1.024	0.512	0.748
P6520 06-08	3/8	1/2	0.236	0.787	0.650	0.335	1.024	0.512	0.866
P6520 08-04	1/2	1/4	0.280	0.807	0.768	0.256	1.043	0.591	0.669
P6520 08-06	1/2	3/8	0.280	0.807	0.768	0.295	1.043	0.591	0.748
P6520 08-08	1/2	1/2	0.315	0.827	0.768	0.335	1.043	0.591	0.866

**METRIC Tube Fittings****DIMENSIONS (in mm)**

Model	A	D	C	E	F	H	M	SW	SW1	Weight (g)
S6520 4-1/8	4	G1/8	3.5	14.5	9	5.5	17.5	8	12	17
S6520 4-1/4	4	G1/4	3.5	14.5	9	7	17.5	8	14	23
S6520 5-1/8	5	G1/8	5.5	14.5	10	5.5	20.5	9	12	17
S6520 5-1/4	5	G1/4	5.5	14.5	10	7	20.5	9	14	23
S6520 6-1/8	6	G1/8	4	15	12.7	5.5	20	9	12	20
S6520 6-1/4	6	G1/4	4	15	12.7	7	20	9	14	23
S6520 6-3/8	6	G3/8	4	15.5	12.7	8	20	9	19	33
S6520 8-1/8	8	G1/8	5	16	14.2	5.5	22.5	11	12	22
S6520 8-1/4	8	G1/4	5	16	14.2	7	22.5	11	14	26
S6520 8-3/8	8	G3/8	5	16.5	14.2	8	22.5	11	19	41
S6520 8-1/2	8	G1/2	5	17	14.2	9	22.5	11	22	48
S6520 10-1/4	10	G1/4	5.8	18.5	16.5	7	26	13	14	32
S6520 10-3/8	10	G3/8	5.8	19	16.5	8	26	13	19	43
S6520 10-1/2	10	G1/2	5.8	19.5	16.5	9	26	13	22	62
S6520 12-1/4	12	G1/4	7.3	20	19.5	7	26.5	15	17	49
S6520 12-3/8	12	G3/8	7.3	20	19.5	8	26.5	15	19	48
S6520 12-1/2	12	G1/2	7.3	20.5	19.5	9	26.5	15	22	70
S6520 14-3/8	14	G3/8	8.3	21	21.5	8	28.5	17	19	74
S6520 14-1/2	14	G1/2	8.3	21.5	21.5	9	28.5	17	22	78

**INCH Tube Fittings****METRIC Tube Fittings**

Fittings Models 6522 and 6520...

Full Thread Male Elbow Swivel

**INCH Tube Fittings**

**DIMENSIONS (in inches)**

Model	A OD	D UNF	C	E	F	H	M	SW	SW1
6522 02-32	1/8	10-32	0.138	0.492	0.354	0.157	0.689	0.315	0.315
6522 53-32	5/32	10-32	0.138	0.492	0.354	0.157	0.689	0.315	0.315
6522 04-32	1/4	10-32	0.157	0.531	0.500	0.157	0.787	0.354	0.394
NPTF									
6520 02-02	1/8	1/8	0.138	0.650	0.354	0.315	0.689	0.315	0.472
6520 02-04	1/8	1/4	0.138	0.689	0.354	0.472	0.689	0.315	0.551
6520 53-02	5/32	1/8	0.138	0.650	0.354	0.315	0.689	0.315	0.472
6520 53-04	5/32	1/4	0.138	0.689	0.354	0.472	0.689	0.315	0.551
6520 04-02	1/4	1/8	0.157	0.669	0.500	0.315	0.787	0.354	0.472
6520 04-04	1/4	1/4	0.157	0.709	0.500	0.472	0.787	0.354	0.551
6520 04-06	1/4	3/8	0.157	0.689	0.500	0.472	0.787	0.354	0.748
6520 05-02	5/16	1/8	0.197	0.709	0.559	0.315	0.886	0.433	0.472
6520 05-04	5/16	1/4	0.197	0.748	0.559	0.472	0.886	0.433	0.551
6520 05-06	5/16	3/8	0.197	0.728	0.559	0.472	0.886	0.433	0.748
6520 06-02	3/8	1/8	0.256	0.807	0.650	0.315	1.043	0.512	0.551
6520 06-04	3/8	1/4	0.236	0.846	0.650	0.472	1.024	0.512	0.551
6520 06-06	3/8	3/8	0.236	0.827	0.650	0.472	1.024	0.512	0.748
6520 06-08	3/8	1/2	0.236	0.906	0.650	0.610	1.024	0.512	0.866
6520 08-04	1/2	1/4	0.280	0.906	0.768	0.472	1.043	0.591	0.669
6520 08-06	1/2	3/8	0.280	0.866	0.768	0.472	1.043	0.591	0.748
6520 08-08	1/2	1/2	0.280	0.945	0.768	0.610	1.043	0.591	0.866

\*add 'C' for sealant coated fittings (e.g. 6520 04-02 becomes C6520 04-02)

**METRIC Tube Fittings**

**DIMENSIONS (in mm)**

Model	A	D	C	E	F	H	M	SW	SW1	Weight (g)
6522 4-M5	4	M5	3.5	12.5	9	4	17.5	8	8	12
6522 4-1/8	4	G1/8	3.5	14.5	9	6	17.5	8	12	15
6522 4-1/4	4	G1/4	3.5	15.5	9	7	17.5	8	15	25
6522 5-M5	5	M5	5.5	12.5	10	4	20.5	9	8	13
6522 6-M5	6	M5	4	13	12.7	4	20	9	10	14
6522 6-1/8	6	G1/8	4	15	12.7	6	20	9	12	19
6522 6-1/4	6	G1/4	4	16	12.7	7	20	9	15	27
6522 8-1/8	8	G1/8	5	16	14.2	6	22.5	11	12	22
6522 8-1/4	8	G1/4	5	17	14.2	7	22.5	11	15	28
6522 8-3/8	8	G3/8	5	17	14.2	7	22.5	11	19	45
6522 10-1/4	10	G1/4	5.8	19.5	16.5	7	26	13	15	41
6522 10-3/8	10	G3/8	5.8	19.5	16.5	7	26	13	19	45
6255 10-1/2	10	G1/2	20.2	20.5	16.5	8	26	13	22	53
6522 12-1/4	12	G1/4	7.3	20	19.5	7	26.5	15	17	51
6522 12-3/8	12	G3/8	7.3	20.5	19.5	7	26.5	15	19	56
6522 12-1/2	12	G1/2	19.2	21.5	19.5	8	26.5	15	22	58
6522 14-3/8	14	G3/8	20.2	21.5	21.5	7	28.5	17	19	53
6522 14-1/2	14	G1/2	20.2	22.5	21.5	8	28.5	17	22	61

**METRIC Tube Fittings**

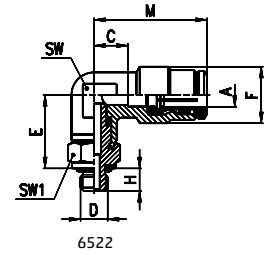
**DIMENSIONS (in mm)**

Model	A	D	E	H	M	SW	SW1	Weight (g)
6522 3-M3	3	M3	13.7	2.5	13.7	6	6	4
6522 3-M5	3	M5	13.7	3.5	13.7	6	8	5

**INCH Tube Fittings**



6522



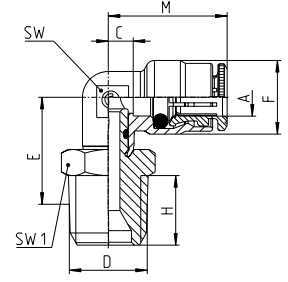
6522



6520



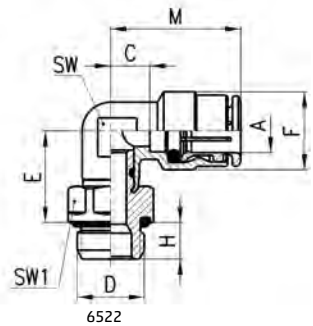
C6520



6520

= with gasket  
= with O-Ring

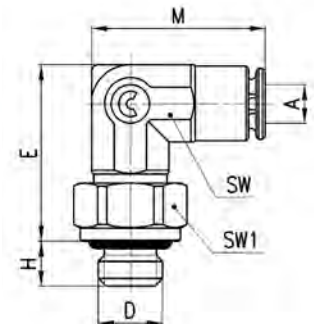
**METRIC Tube Fittings**



6522



6522



6522

= with gasket  
= with O-Ring

Fittings Models P6525 and 6525

Pro-Fit® Extended Swivel Elbow

**INCH Tube Fittings**

**DIMENSIONS (in inches)**

Model	A OD	D NPTF	C	E	F	H	M	SW	SW1
P6525 53-02	5/32	1/8	0.138	1.398	0.354	0.197	0.689	0.315	0.472
P6525 53-04	5/32	1/4	0.138	1.417	0.354	0.256	0.689	0.315	0.551
P6525 04-02	1/4	1/8	0.157	1.339	0.500	0.197	0.787	0.354	0.472
P6525 04-04	1/4	1/4	0.157	1.339	0.500	0.256	0.787	0.354	0.551
P6525 04-06	1/4	3/8	0.157	1.457	0.500	0.295	0.787	0.354	0.748
P6525 06-02	3/8	1/8	0.256	1.378	0.650	0.197	1.043	0.512	0.551
P6525 06-04	3/8	1/4	0.256	1.378	0.650	0.256	1.043	0.512	0.551

**METRIC Tube Fittings**

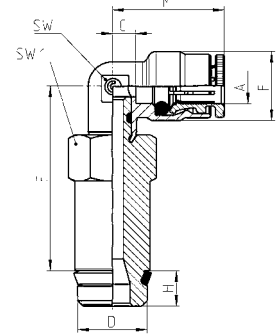
**DIMENSIONS (in mm)**

Model	A	D	C	E	F	H	M	SW	SW1	Weight (g)
6525 6-1/8	6	G1/8	4	33.8	12.7	5.5	20	9	12	34
6525 6-1/4	6	G1/4	4	34	12.7	7	20	9	14	47
6525 8-1/8	8	G1/8	5	34.8	14.2	5.5	22.5	11	12	35
6525 8-1/4	8	G1/4	5	35	14.2	7	22.5	11	14	50

**INCH Tube Fittings**



P6525

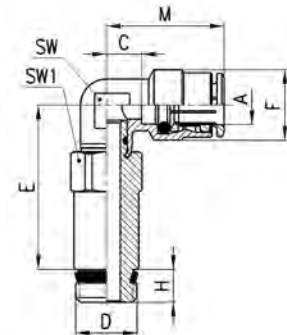


P6525

**METRIC Tube Fittings**



S6525



S6525

Fittings Models 6500 and S6500

Male Elbow Non-Swivel

**INCH Tube Fittings**

**DIMENSIONS (in inches)**

Model	A OD	D NPTF	C	E	F	H	M	SW
6500 04-02	1/4	1/8	0.157	0.571	0.500	0.472	0.787	0.354
6500 04-04	1/4	1/4	0.157	0.472	0.500	0.472	0.787	0.354
6500 06-04	3/8	1/4	0.236	0.551	0.650	0.472	1.024	0.512
6500 06-06	3/8	3/8	0.236	0.512	0.650	0.472	1.024	0.512

\*add 'C' for sealant coated fittings (e.g. 6500 04-02 becomes C6500 04-02)

**METRIC Tube Fittings**

**DIMENSIONS (in mm)**

Model	A	D	C	E	F	H	M	SW	Weight (g)
S6500 4-1/8	4	R1/8	3.5	8.5	9	7.5	17.5	8	9
S6500 4-1/4	4	R1/4	5	11.5	9	12	19	9	13
S6500 5-1/8	5	R1/8	5.5	8.5	10	7.5	20.5	9	13
S6500 5-1/4	5	R1/4	5.5	11.5	10	12	20.5	9	17
S6500 6-1/8	6	R1/8	4	9	12.7	7.5	20	9	15
S6500 6-1/4	6	R1/4	4	11.5	12.7	12	20	9	16
S6500 8-1/8	8	R1/8	5	10.5	14.2	6.5	22.5	11	18
S6500 8-1/4	8	R1/4	5	11.5	14.2	12.5	22.5	11	21
S6500 8-3/8	8	R3/8	7	13	14.2	11.5	24.5	12	25
S6500 10-1/4	10	R1/4	5.8	13	16.5	11.5	26	13	33
S6500 10-3/8	10	R3/8	5.8	13	16.5	12	26	13	33
S6500 12-1/4	12	R1/4	7.3	14.5	19.5	11	26.5	15	46
S6500 12-3/8	12	R3/8	7.3	13.5	19.5	11.5	26.5	15	39

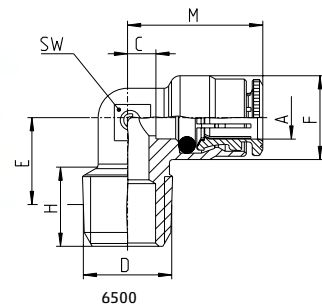
**INCH Tube Fittings**



6500



\*C6500

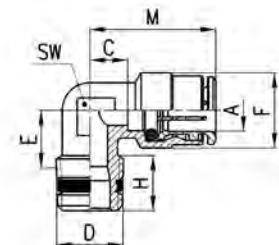


6500

**METRIC Tube Fittings**



S6500

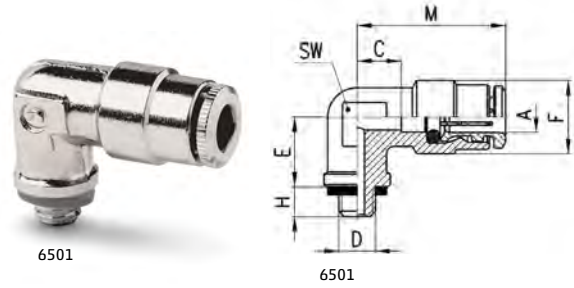


S6500



Fitting Model 6501 4-M5  
Metric Non-swivel Male Elbow

METRIC Tube Fittings



METRIC Tube Fittings									
DIMENSIONS (in mm)									
Model	A	D	C	E	F	H	M	SW	Weight (g)
6501 4-M5	4	M5	3.5	6	9	4	17.5	8	v

Fittings Model 6621 Micro  
Complete Metric  
Single Banjo

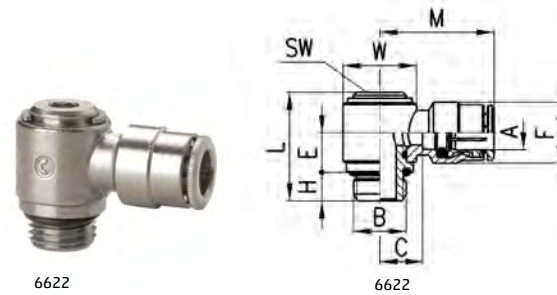
METRIC Tube Fittings



METRIC Tube Fittings										
DIMENSIONS (in mm)										
Model	A	B	C	F	H	L	S	W	SW	Weight (g)
6621 3-M3	3	M3	5.8	14.2	2.5	9.3	3.5	6	1.5	5
6621 3-M5	3	M5	6.5	16	3.2	11.9	4.8	8	2	6

Fittings Model 6622  
Complete BSP Swivel  
Single Banjo

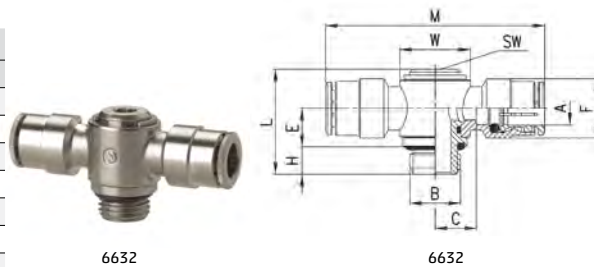
METRIC Tube Fittings



METRIC Tube Fittings											
DIMENSIONS (in mm)											
Model	A	B	C	E	F	H	L	M	SW	W	Weight (g)
6622 4-M5	4	M5	4	5.7	8.8	4	15.8	18	2.5	Ø8	10
6622 4-1/8	4	G1/8	7.5	10.2	9	5	25	21.5	4	Ø14	22
6622 6-1/8	6	G1/8	8	10.2	12.7	5	25	24	4	Ø14	24
6622 6-1/4	6	G1/4	10	9.1	12.7	6	25.3	26	5	Ø18	35
6622 8-1/8	8	G1/8	8	10.2	14.2	5	25	25.5	4	Ø14	28
6622 8-1/4	8	G1/4	10	9.1	14.2	6	25.3	27.5	5	Ø18	39
6622 10-1/4	10	G1/4	8.8	9.1	16.5	6	25.3	29	5	Ø18	42

Fittings Model 6632  
Complete BSP Swivel  
Double Banjo

METRIC Tube Fittings



METRIC Tube Fittings											
DIMENSIONS (in mm)											
Model	A	B	C	E	F	H	L	M	W	SW	Weight (g)
6632 4-1/8	4	G1/8	7.5	10.2	9	5	25	43	Ø14	4	24
6632 6-1/8	6	G1/8	8	10.2	12.7	5	25	48	Ø14	4	33
6632 6-1/4	6	G1/4	10	9.1	12.7	6	25.3	52	Ø18	5	35
6632 8-1/8	8	G1/8	8	10.2	14.2	5	25	51	Ø14	4	39
6632 8-1/4	8	G1/4	10	9.1	14.2	6	25.3	55	Ø18	5	40
6632 10-1/4	10	G1/4	8.8	9.1	16.5	6	25.3	58	Ø18	5	50

**Fittings Model P6450**  
Pro-Fit® or Sprint® Male "Y" Swivel

**INCH Tube Fittings**

**DIMENSIONS (in inches)**

Model	A OD	D NPTF	F	H	L	M	SW
P6450 02-02	1/8	1/8	0.709	0.197	1.299	0.354	0.472
P6450 53-02	5/32	1/8	0.709	0.197	1.299	0.354	0.472
P6450 04-02	1/4	1/8	0.965	0.197	1.437	0.492	0.472
P6450 04-04	1/4	1/4	0.965	0.256	1.457	0.492	0.551
P6450 06-04	3/8	1/4	1.260	0.256	1.969	0.630	0.551

**METRIC Tube Fittings**

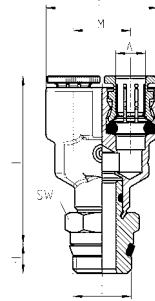
**DIMENSIONS (in mm)**

Model	A	D	F	H	L	M	SW	Weight (g)
6451 4-M5	4	M5	18	4	26.5	9	-	17 *
6451 6-M5	6	M5	24.5	4	29.5	12.5	-	27 *
S6450 4-1/8	4	G1/8	18	5.5	38	9	12	23
S6450 6-1/8	6	G1/8	24.5	5.5	41.5	12.5	12	33
S6450 8-1/8	8	G1/8	28.5	5.5	48.5	14.5	14	48
S6450 8-1/4	8	G1/4	28.5	7	50	14.5	14	50



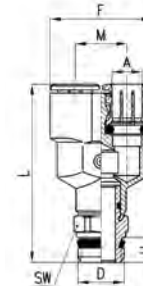
P6450

**INCH Tube Fittings**



P6450

**METRIC Tube Fittings**



S6450

**Fittings Model 6451 and Model 6450**  
Male "Y" Swivel

**INCH Tube Fittings**

**DIMENSIONS (in inches)**

Model	A OD	D UNF	F	H	M	L	SW
*6451 02-32	1/8	10-32	.827	.177	.354	1.063	.315
		NPTF					
6450 02-02	1/8	1/8	.827	.315	.354	1.535	.472
6450 53-02	5/32	1/8	.827	.315	.354	1.535	.472
6450 04-02	1/4	1/8	.965	.315	.492	1.673	.472

\*add 'C' for sealant coated fittings (e.g. 6450 04-02 becomes C6450 04-02)



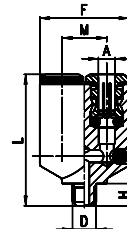
6451



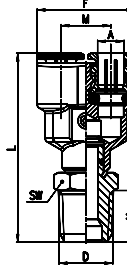
6450

C6450

**INCH Tube Fittings**



6451



6450

\* No swivel male

**Fittings Model 6452 Micro**  
Metric Swivel Male Y

**METRIC Tube Fittings**

**DIMENSIONS (in mm)**

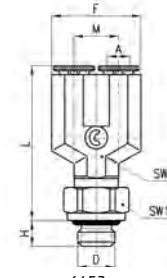
Model	A	D	F	H	L	M	SW	SW1	Weight (g)
6452 3-M3	3	M3	12	2.5	20.9	6	6	6	6
6452 3-M5	3	M5	12	3.5	20.9	6	6	8	7

= with gasket  
= with O-Ring



6452

**METRIC Tube Fittings**



6452

Fittings Model P6430...  
Pro-Fit® or Sprint® Male Branch Tee Swivel

**INCH Tube Fittings**

**DIMENSIONS (in inches)**

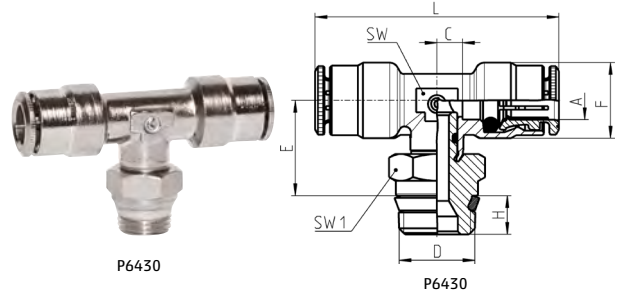
Model	A OD	D NPTF	C	E	F	H	L	SW	SW1
P6430 02-02	1/8	1/8	0.138	0.591	0.354	0.197	1.378	0.315	0.472
P6430 53-02	5/32	1/8	0.138	0.591	0.354	0.197	1.378	0.315	0.472
P6430 53-04	5/32	1/4	0.138	0.630	0.354	0.256	1.378	0.315	0.551
P6430 04-02	1/4	1/8	0.157	0.630	0.500	0.197	1.575	0.354	0.472
P6430 04-04	1/4	1/4	0.157	0.650	0.500	0.256	1.575	0.354	0.551
P6430 04-06	1/4	3/8	0.157	0.650	0.500	0.295	1.575	0.354	0.748
P6430 06-04	3/8	1/4	0.236	0.768	0.650	0.256	2.047	0.512	0.551
P6430 06-06	3/8	3/8	0.236	0.768	0.650	0.295	2.047	0.512	0.748
P6430 06-08	3/8	1/2	0.256	0.787	0.650	0.335	2.087	0.512	0.866
P6430 08-04	1/2	1/4	0.280	0.807	0.768	0.256	2.087	0.591	0.669
P6430 08-06	1/2	3/8	0.280	0.807	0.768	0.295	2.087	0.591	0.748
P6430 08-08	1/2	1/2	0.280	0.827	0.768	0.335	2.087	0.591	0.866

**METRIC Tube Fittings**

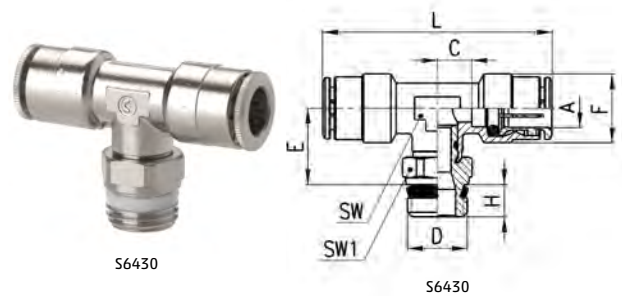
**DIMENSIONS (in mm)**

Model	A	D	C	E	F	H	L	SW	SW1	Weight (g)
S6430 4-1/8	4	G1/8	3.5	14.5	9	5.5	35	8	12	18
S6430 5-1/8	5	G1/8	5.5	14.5	10	5.5	41	9	12	24
S6430 5-1/4	5	G1/4	5.5	14.5	10	7	41	9	14	30
S6430 6-1/8	6	G1/8	4	15	12.7	5.5	40	9	12	28
S6430 6-1/4	6	G1/4	4	15	12.7	7	40	9	14	33
S6430 8-1/8	8	G1/8	5	16	14.2	5.5	45	11	12	37
S6430 8-1/4	8	G1/4	5	16	14.2	7	45	11	14	42
S6430 8-3/8	8	G3/8	5	16.5	14.2	8	45	11	19	51
S6430 10-1/4	10	G1/4	5.8	18.5	16.5	7	52	13	14	56
S6430 10-3/8	10	G3/8	5.8	19	16.5	8	52	13	19	67
S6430 10-1/2	10	G1/2	5.8	19.5	16.5	9	52	13	22	85
S6430 12-1/4	12	G1/4	7.3	20	19.5	7	53	15	17	60
S6430 12-3/8	12	G3/8	7.3	20	19.5	8	53	15	19	65
S6430 12-1/2	12	G1/2	7.3	20.5	19.5	9	53	15	22	89
S6430 14-1/2	14	G1/2	8.3	21.5	21.5	9	57	17	22	88

**INCH Tube Fittings**



**METRIC Tube Fittings**



Fittings Model 6432 and Model 6430...

Male Branch Tee Swivel

**INCH Tube Fittings**

**DIMENSIONS (in inches)**

Model	A	D	C	E	F	H	L	SW	SW1	
<b>OD UNF</b>										
6432 02-32	1/8	10-32	0.138	0.492	0.354	0.157	1.378	0.315	0.315	
6432 53-32	5/32	10-32	0.138	0.492	0.354	0.157	1.378	0.315	0.315	
<b>NPTF</b>										
6430 02-02	1/8	1/8	0.138	0.650	-	0.315	1.378	0.315	0.472	
6430 53-02	5/32	1/8	0.138	0.650	-	0.315	1.378	0.315	0.472	
6430 53-04	5/32	1/4	0.138	0.689	-	0.472	1.378	0.315	0.551	
6430 04-02	1/4	1/8	0.157	0.669	0.500	0.315	1.575	0.354	0.472	
6430 04-04	1/4	1/4	0.157	0.709	0.500	0.472	1.575	0.354	0.551	
6430 04-06	1/4	3/8	0.157	0.689	0.500	0.472	1.575	0.354	0.748	
6430 06-04	3/8	1/4	0.236	0.846	-	0.472	2.047	0.512	0.551	
6430 06-06	3/8	3/8	0.236	0.827	-	0.472	2.047	0.512	0.748	
6430 06-08	3/8	1/2	0.256	0.906	-	0.610	2.087	0.512	0.866	
6430 08-04	1/2	1/4	0.280	0.906	0.768	0.472	2.087	0.591	0.669	
6430 08-06	1/2	3/8	0.280	0.866	0.768	0.472	2.087	0.591	0.748	
6430 08-08	1/2	1/2	0.280	0.945	0.768	0.610	2.087	0.591	0.866	

**METRIC Tube Fittings**

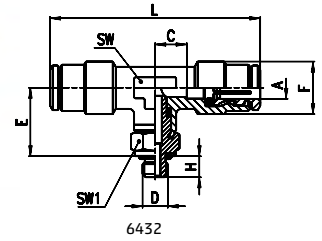
**DIMENSIONS (in mm)**

Model	A	D	C	E	F	H	L	SW	SW1	Weight (g)
6432 4-M5	4	M5	3.5	12.5	9	4	35	8	8	14
6432 4-1/8	4	G1/8	3.5	14.5	9	6	35	8	12	19
6432 5-M5	5	M5	5.5	12.5	10	4	41	9	8	19
6432 6-1/8	6	G1/8	4	15	12.7	6	40	9	12	29
6432 6-1/4	6	G1/4	4	16	12.7	7	40	9	15	30
6432 8-1/8	8	G1/8	5	16	14.2	6	45	11	12	37
6432 8-1/4	8	G1/4	5	17	14.2	7	45	11	15	39
6432 8-3/8	8	G3/8	5	17	14.2	7	45	11	19	55
6432 10-1/4	10	G1/4	5.8	19.5	16.5	7	52	13	15	59
6432 10-3/8	10	G3/8	5.8	19.5	16.5	7	52	13	19	56
6432 12-1/4	12	G1/4	7.3	20	19.5	7	53	15	17	60
6432 12-3/8	12	G3/8	7.3	20.5	19.5	7	53	15	19	80

**INCH Tube Fittings**



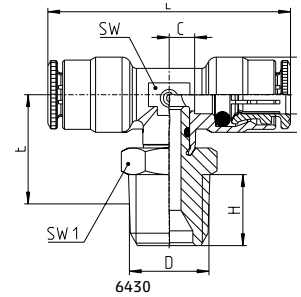
6432



6430



C6430

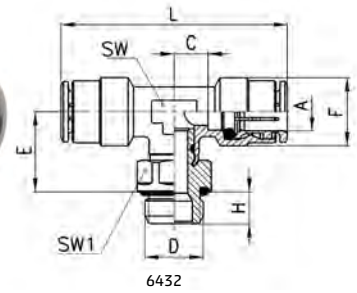


6430

**METRIC Tube Fittings**



6432



6432

## Fittings Model P6440...

Pro-Fit® or Sprint® Male Run Tee Swivel

## INCH Tube Fittings

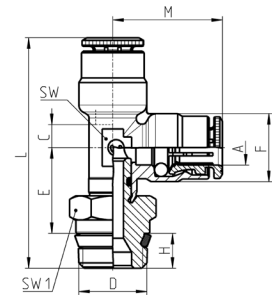
## DIMENSIONS (in inches)

Model	A OD	D NPTF	C	E	F	H	L	M	SW	SW1
P6440 02-02	1/8	1/8	0.138	0.591	0.354	0.197	1.476	0.689	0.315	0.472
P6440 53-02	5/32	1/8	0.138	0.591	0.354	0.197	1.476	0.689	0.315	0.472
P6440 53-04	5/32	1/4	0.138	0.630	0.354	0.256	1.575	0.689	0.315	0.551
P6440 04-02	1/4	1/8	0.157	0.630	0.500	0.197	1.614	0.787	0.354	0.472
P6440 04-04	1/4	1/4	0.157	0.650	0.500	0.256	1.693	0.787	0.354	0.551
P6440 04-06	1/4	3/8	0.157	0.650	0.500	0.295	1.732	0.787	0.354	0.748
P6440 06-04	3/8	1/4	0.256	0.768	0.650	0.256	2.067	1.024	0.512	0.551
P6440 06-06	3/8	3/8	0.256	0.768	0.650	0.295	2.106	1.024	0.512	0.748
P6440 06-08	3/8	1/2	0.256	0.787	0.650	0.335	2.165	1.043	0.512	0.866
P6440 08-04	1/2	1/4	0.315	0.807	0.768	0.256	2.106	1.043	0.591	0.669
P6440 08-06	1/2	3/8	0.315	0.807	0.768	0.295	2.146	1.043	0.591	0.748
P6440 08-08	1/2	1/2	0.315	0.827	0.768	0.335	2.205	1.043	0.591	0.866

## INCH Tube Fittings



P6440



P6440

## METRIC Tube Fittings

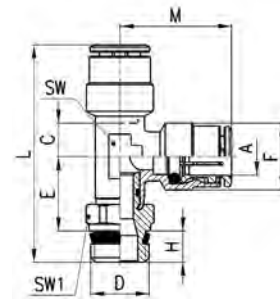
## DIMENSIONS (in mm)

Model	A	D	C	E	F	H	L	M	SW	SW1	Weight (g)
S6440 4-1/8	4	G1/8	3.5	14.5	9	5.5	37.5	17.5	8	12	23
S6440 5-1/8	5	G1/8	5.5	14.5	10	5.5	40.5	20.5	9	12	24
S6440 6-1/8	6	G1/8	4	15	12.7	5.5	40.5	20	9	12	26
S6440 6-1/4	6	G1/4	4	15	12.7	7	42	20	9	14	31
S6440 8-1/8	8	G1/8	5	16	14.2	5.5	44	22.5	11	12	37
S6440 8-1/4	8	G1/4	5	16	14.2	7	45.5	22.5	11	14	35
S6440 8-3/8	8	G3/8	5	16.5	14.2	8	47	22.5	11	19	52
S6440 10-1/4	10	G1/4	5.8	18.5	16.5	7	51.5	26	13	14	43
S6440 10-3/8	10	G3/8	5.8	18.5	16.5	8	53	26	13	19	66
S6440 12-3/8	12	G3/8	7.3	19.5	19.5	8	54.5	26.5	15	19	65
S6440 14-1/2	14	G1/2	8.3	21.5	21.5	9	59	28.5	17	22	88

## METRIC Tube Fittings



S6440



S6440

Fittings Model 6442 and Model 6440...

Male Run Tee Swivel

**INCH Tube Fittings**

**DIMENSIONS (in inches)**

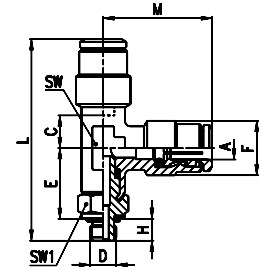
Model	A	D	C	E	F	H	L	M	SW	SW1	
		OD	UNF								
6442 02-32	1/8	10-32	0.138	0.492	0.354	0.157	1.339	0.689	0.315	0.315	
6442 53-32	5/32	10-32	0.138	0.492	0.354	0.157	1.339	0.689	0.315	0.315	
		NPTF									
6440 02-02	1/8	1/8	0.138	0.650	0.354	0.315	1.535	0.689	0.315	0.472	
6440 53-02	5/32	1/8	0.138	0.650	0.354	0.315	1.535	0.689	0.315	0.472	
6440 53-04	5/32	1/4	0.138	0.689	0.354	0.472	1.634	0.689	0.315	0.551	
6440 04-02	1/4	1/8	0.157	0.669	0.500	0.315	1.654	0.787	0.354	0.472	
6440 04-04	1/4	1/4	0.157	0.709	0.500	0.472	1.752	0.787	0.354	0.551	
6440 04-06	1/4	3/8	0.157	0.689	0.500	0.472	1.772	0.787	0.354	0.748	
6440 06-04	3/8	1/4	0.236	0.846	0.650	0.472	2.146	1.024	0.512	0.551	
6440 06-06	3/8	3/8	0.236	0.827	0.650	0.472	2.165	1.024	0.512	0.748	
6440 06-08	3/8	1/2	0.256	0.906	0.650	0.610	2.283	1.043	0.512	0.866	
6440 08-04	1/2	1/4	0.315	0.906	0.768	0.472	2.205	1.043	0.591	0.669	
6440 08-06	1/2	3/8	0.280	0.866	0.768	0.472	2.205	1.043	0.591	0.748	
6440 08-08	1/2	1/2	0.315	0.945	0.768	0.610	2.323	1.043	0.591	0.866	

\*add 'C' for sealant coated fittings (e.g. 6440 04-02 becomes C6440 04-02)

**INCH Tube Fittings**



6442



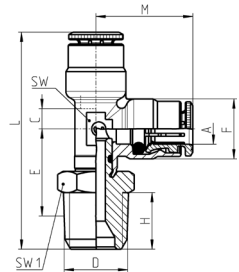
6442



6440



C6440



6440

**METRIC Tube Fittings**

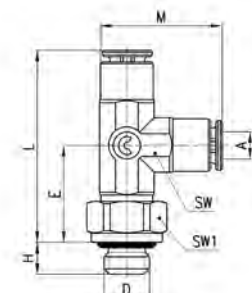
**DIMENSIONS (in mm)**

Model	A	D	C	E	F	H	L	M	SW	SW1	Weight (g)
6442 3-M3	3	M3	-	10.7	-	2.5	21.4	13.7	6	6	5
6442 3-M5	3	M5	-	12.2	-	3.5	21.4	13.7	6	8	6
6442 4-M5	4	M5	3.5	12.5	9	4	34	17.5	8	8	18
6442 4-1/8	4	G1/8	3.5	14.5	9	6	38	17.5	8	12	19
6442 5-M5	5	M5	5.5	12.5	10	4	36.5	20.5	9	8	19
6442 6-1/8	6	G1/8	4	15	12.7	6	41	20	9	12	26
6442 6-1/4	6	G1/4	4	16	12.7	7	43	20	9	15	36
6442 8-1/8	8	G1/8	5	16	14.2	6	44.5	22.5	11	12	31
6442 8-1/4	8	G1/4	5	17	14.2	7	46.5	22.5	11	15	42
6442 8-3/8	8	G3/8	5	17	14.2	7	46.5	22.5	11	19	50
6442 10-1/4	10	G1/4	5.8	19.5	16.5	7	52.5	26	13	15	46
6442 10-3/8	10	G3/8	5.8	19.5	16.5	7	52.5	26	13	19	66
6442 12-1/4	12	G1/4	7.3	20	16.5	7	53.5	26.5	15	17	73
6442 12-3/8	12	G3/8	7.3	20.5	19.5	7	54	26.5	15	19	64

**METRIC Tube Fittings**



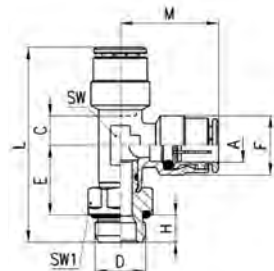
6442



6442



6442



6442

## Fittings Model 6463...

Female Connector

## INCH Tube Fittings

## DIMENSIONS (in inches)

Model	A OD	D NPTF	C	F	G	L	SW
6463 02-02	1/8	1/8	0.394	0.354	0.512	0.945	0.472
6463 02-04	1/8	1/4	0.551	0.354	0.650	1.102	0.591
6463 53-02	5/32	1/8	0.394	0.354	0.512	0.945	0.472
6463 53-04	5/32	1/4	0.551	0.354	0.650	1.102	0.591
6463 04-02	1/4	1/8	0.386	0.461	0.512	1.024	0.472
6463 04-04	1/4	1/4	0.543	0.469	0.650	1.181	0.591
6463 06-04	3/8	1/4	0.512	0.606	0.728	1.299	0.669
6463 06-06	3/8	3/8	0.551	0.606	0.787	1.339	0.669

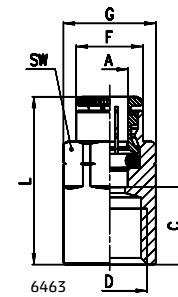
## METRIC Tube Fittings

## DIMENSIONS (in mm)

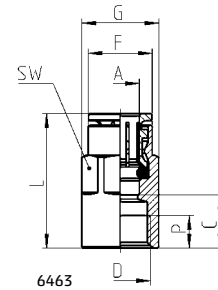
Model	A	D	C	F	G	L	P (min)	SW	Weight (g)
6463 4-M5	4	M5	6.5	7.8	8.8	20.5	4.5	9	8
6463 4-1/8	4	G1/8	10	9	13	24	6	12	14
6463 5-1/8	5	G1/8	10	9.8	13	25	6	12	14
6463 6-1/8	6	G1/8	10	11.7	13	26	6	12	14
6463 6-1/4	6	G1/4	11.5	11.9	16.5	27.5	7	15	23
6463 8-1/8	8	G1/8	9.5	13.7	15.2	27	6	14	16
6463 8-1/4	8	G1/4	11.5	13.7	16.5	29	7	15	23
6463 10-1/4	10	G1/4	11.3	15.4	18.5	31.5	7	17	29



6463



## METRIC Tube Fittings



6463

## Fittings Model 6593

Female Bulkhead

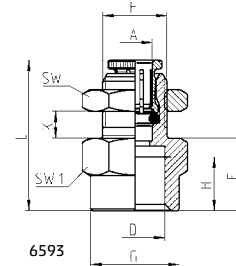
## INCH Tube Fittings

## DIMENSIONS (in inches)

Model	A OD	D NPTF	E	F	G	H	Kmax	Kmin	L	SW	SW1
6593 04-04	1/4	1/4	0.531	M12x1	0.650	0.394	0.256	0.079	1.102	0.669	0.669
6593 06-06	3/8	3/8	0.531	M18x1	0.787	0.413	0.472	0.079	1.339	0.866	0.866
6593 08-06	1/2	3/8	0.492	M20x1	0.787	0.413	0.472	0.079	1.299	0.945	0.945



6593



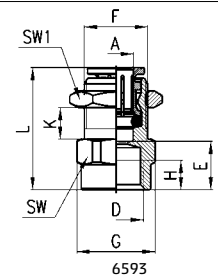
## METRIC Tube Fittings

## DIMENSIONS (in mm)

Model	A	D	E	F	G	H	L	K (max)	K (min)	SW	SW1	Weight (g)
6593 6-1/8	6	G1/8	10	M12x1	16.4	6	24.5	8.5	2	15	17	19
6593 6-1/4	6	G1/4	11.5	M12x1	18.5	7	26	6.5	2	17	17	22
6593 8-1/8	8	G1/8	10	M15x1	18.5	6	27	9.5	2	17	19	26
6593 8-1/4	8	G1/4	11.5	M15x1	18.5	7	28.5	9.5	2	17	19	26
6593 10-3/8	10	G3/8	12.8	M18x1	24.5	8	32.5	12	2	22	22	43



6593



## Fittings Model 6523

Female Swivel Elbow

## INCH Tube Fittings

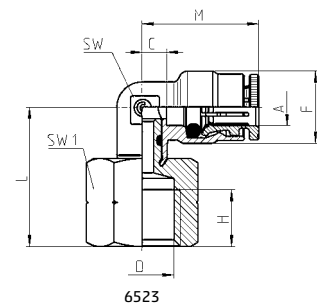
## DIMENSIONS (in inches)

Model	A OD	D NPTF	E	F	H	L	M	SW	SW1
6523 53-02	5/32	1/8	0.138	0.354	0.276	0.787	0.689	0.315	0.512
6523 53-04	5/32	1/4	0.138	0.354	0.394	1.004	0.689	0.315	0.669
6523 04-02	1/4	1/8	0.177	0.500	0.276	0.807	0.807	0.354	0.512
6523 04-04	1/4	1/4	0.177	0.500	0.394	0.965	0.807	0.354	0.669
6523 04-06	1/4	3/8	0.177	0.500	0.413	0.984	0.807	0.354	0.787
6523 06-04	3/8	1/4	0.236	0.650	0.394	1.102	1.024	0.512	0.669
6523 06-06	3/8	3/8	0.236	0.650	0.413	1.122	1.024	0.512	0.787



6523

## INCH Tube Fittings



Fittings Model 6550...

Union Elbow

**INCH Tube Fittings**

**DIMENSIONS (in inches)**

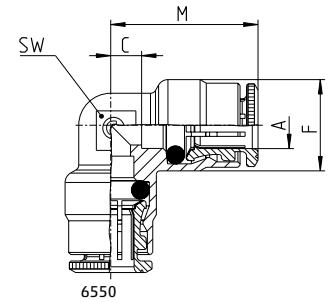
Model	A OD	C	F	M	SW
6550 02-00	1/8	0.138	0.354	0.689	0.315
6550 53-00	5/32	0.138	0.354	0.689	0.315
6550 04-00	1/4	0.157	0.500	0.787	0.354
6550 05-00	5/16	0.197	0.559	0.886	0.433
6550 06-00	3/8	0.236	0.650	1.024	0.512
6550 08-00	1/2	0.280	0.768	1.043	0.591

**METRIC Tube Fittings**

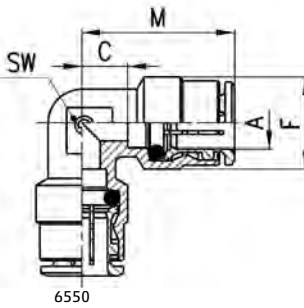
**DIMENSIONS (in mm)**

Model	A	C	F	M	SW	Weight (g)
6550 4	4	3.5	9	17.5	8	8
6550 5	5	5.5	10	20.5	9	15
6550 6	6	4	12.7	20	9	17
6550 8	8	5	14.2	22.5	11	22
6550 10	10	5.8	16.5	26	13	30
6550 12	12	7.3	19.5	26.5	15	44
6550 14	14	8.3	21.5	28.5	17	71

**INCH Tube Fittings**



6550



6550

Fittings Model 6550

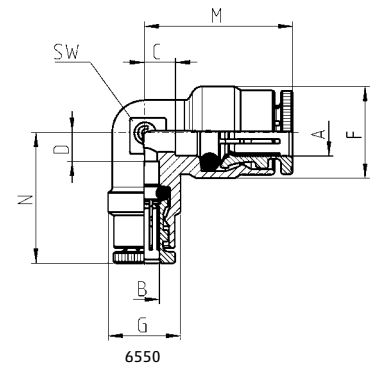
Reducing Union Elbow

**INCH Tube Fittings**

**DIMENSIONS (in inches)**

Model	A OD	B OD	C	D	F	G	M	N	SW
6550 04-53	1/4	5/32	0.177	0.157	0.500	0.394	0.807	0.709	0.354
6550 06-04	3/8	1/4	0.236	0.177	0.650	0.500	1.024	0.827	0.512
6550 08-06	1/2	3/8	0.295	0.256	0.768	0.650	1.043	1.043	0.591

**INCH Tube Fittings**



6550

**METRIC Tube Fittings**

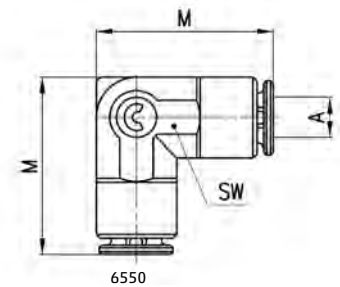
Fittings Model 6550 Micro

Elbow Union

**METRIC Tube Fittings**

**DIMENSIONS (in mm)**

Model	A	M	SW	Weight (g)
6550 3	3	13.7	6	3



6550



Fittings Model 6540...

Union Tee

**INCH Tube Fittings**

**DIMENSIONS (in inches)**

Model	A OD	C	F	L	M	SW
6540 02-00	1/8	0.138	0.354	1.378	0.689	0.315
6540 53-00	5/32	0.138	0.354	1.378	0.689	0.315
6540 04-00	1/4	0.157	0.500	1.575	0.787	0.354
6540 05-00	5/16	0.197	0.559	1.772	0.886	0.433
6540 06-00	3/8	0.236	0.650	2.087	1.024	0.512
6540 08-00	1/2	0.280	0.768	2.087	1.043	0.591

**METRIC Tube Fittings**

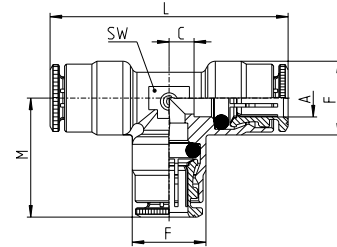
**DIMENSIONS (in mm)**

Model	A	C	F	L	M	SW	Weight (g)
6540 4	4	3.5	9	35	17.5	8	14
6540 5	5	5.5	10	41	20.5	9	21
6540 6	6	4	12.7	40	20	9	24
6540 8	8	5	14.2	45	22.5	11	32
6540 10	10	5.8	16.5	52	26	13	43
6540 12	12	7.3	19.5	53	26.5	15	60
6540 14	14	8.3	21.5	57	28.5	17	75



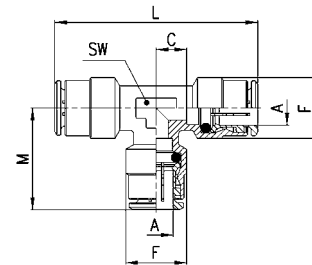
6540

**INCH Tube Fittings**



6540

**METRIC Tube Fittings**



6540

Fittings Model 6540 Micro

Tee Union

**METRIC Tube Fittings**

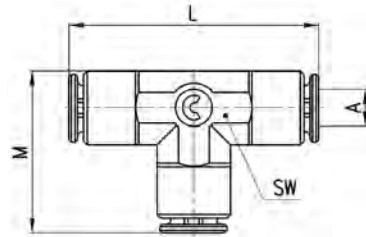
**DIMENSIONS (in mm)**

Model	A	L	M	SW	Weight (g)
6540 3	3	21.4	13.7	6	4



6540

**METRIC Tube Fittings**



6540

Fittings Model 6540

Reducing Union Tee

**INCH Tube Fittings**

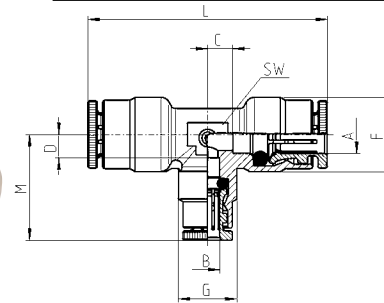
**DIMENSIONS (in inches)**

Model	A OD	B OD	C	D	F	G	L	M	SW
6540 04-04-02	1/4	1/8	0.177	0.157	0.500	0.354	1.614	0.709	0.354
6540 04-04-53	1/4	5/32	0.177	0.157	0.500	0.394	1.614	0.709	0.354
6540 06-06-04	3/8	1/4	0.236	0.197	0.650	0.500	2.047	0.827	0.512
6540 08-08-04	1/2	1/4	0.295	0.256	0.768	0.500	2.087	0.886	0.591
6540 08-08-06	1/2	3/8	0.295	0.256	0.768	0.650	2.087	1.043	0.591



6540

**METRIC Tube Fittings**



6540

Fittings Model 6560

Union "Y"

**INCH Tube Fittings**

**DIMENSIONS (in inches)**

Model	A OD	C	F	L	M
6560 02-00	1/8	0.197	0.709	1.299	0.354
6560 53-00	5/32	0.197	0.709	1.299	0.354
6560 04-00	1/4	0.256	0.965	1.535	0.492
6560 06-00	3/8	0.531	1.260	2.106	0.630

**METRIC Tube Fittings**

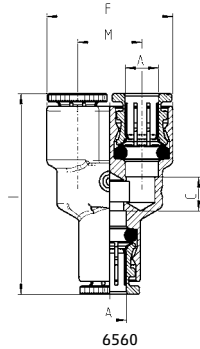
**DIMENSIONS (in mm)**

Model	A	C	F	L	M	Weight (g)
6560 4	4	5	18	33	9	19
6560 6	6	7	24.5	39	12.5	30
6560 8	8	9	28.5	44	14.5	42
6560 10	10	15.5	32	53.5	16	63



6560

**INCH Tube Fittings**

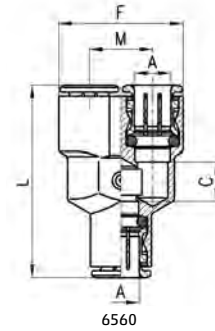


6560



6560

**METRIC Tube Fittings**



6560

Fittings Model 6560 Micro

Y Union

**METRIC Tube Fittings**

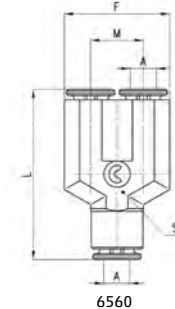
**DIMENSIONS (in mm)**

Model	A	F	L	M	SW	Weight (g)
6560 3	3	12	20.4	6	6	5



6560

**METRIC Tube Fittings**



6560

Fittings Model 6600

Cross Union

**METRIC Tube Fittings**

**DIMENSIONS (in mm)**

Model	A	F	L	M	SW	Weight (g)
6600 4	4	9	38	19	9	26
6600 5	5	10	41	20.5	9	29
6600 6	6	12.7	44	22	10	35
6600 8	8	14.2	49	24.5	12	50
6600 10	10	16.5	55	27.5	14	63
6600 12	12	19.5	56	28	16	84



6600

**METRIC Tube Fittings**



6600

**Fittings Model 6580...**

Union

**INCH Tube Fittings**

**DIMENSIONS (in inches)**

Model	A OD	F	G	L	N
6580 02-00	1/8	0.331	0.354	1.142	0.551
6580 53-00	5/32	0.331	0.354	1.142	0.551
6580 04-00	1/4	0.461	0.472	1.319	0.638
6580 05-00	5/16	0.539	0.551	1.457	0.689
6580 06-00	3/8	0.606	0.669	1.614	0.787
6580 08-00	1/2	0.720	0.748	1.555	0.756

**METRIC Tube Fittings**

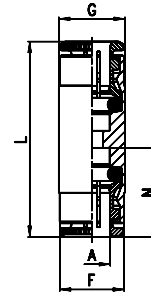
**DIMENSIONS (in mm)**

Model	A	F	G	L	N	S	S1	S2	Weight (g)
6580 3	3	5.8		19.9	-	2.2	-	-	2
6580 4	4	8.4	9	29	14	5	2.2	1.6	11
6580 5	5	9.4	10	31	15	5	2.2	1.6	15
6580 6	6	11.7	12	34	16	5	2.2	1.6	16
6580 8	8	13.7	14	37	17.5	5	2.2	1.6	23
6580 10	10	15.4	17	41.5	20.2	5	2.2	1.6	33
6580 12	12	18.3	19	39.5	19.2	5.2	2.2	1.6	40
6580 14	14	20.5	21	41.5	20.2	5.2	2.2	1.6	47
6580 16	16	-	47	47	23	-	-	-	60

**INCH Tube Fittings**



6580

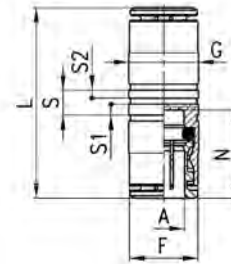


6580

**METRIC Tube Fittings**



6580



6580

**Fittings Model 6580**

Reducing Union

**INCH Tube Fittings**

**DIMENSIONS (in inches)**

Model	A OD	B OD	F	G	L	M	N
6580 04-02	1/4	1/8	0.472	0.362	1.240	0.630	0.551
6580 04-53	1/4	5/32	0.472	0.362	1.240	0.630	0.551
6580 06-04	3/8	1/4	0.630	0.472	1.496	0.787	0.630

**METRIC Tube Fittings**

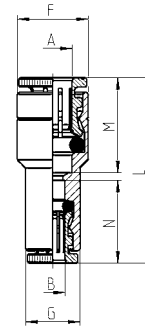
**DIMENSIONS (in mm)**

Model	A	B	F	G	L	M	N	Weight (g)
6580 6-4	6	4	12	9	31.5	16	14	12
6580 8-6	8	6	14	12.2	35	17.5	16	19
6580 10-8	10	8	16	14	39	20	17.5	25
6580 12-10	12	10	19	16	40.5	19	20	35

**INCH Tube Fittings**



6580

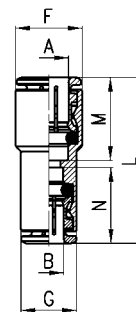


6580

**METRIC Tube Fittings**



6580



6580

Fittings Model 6590...

Bulkhead Union

**INCH Tube Fittings**

**DIMENSIONS (in inches)**

Model	A OD	B	F	L	N	MAX	SW	SW1	T
6590 02-00	1/8	M10X1	0.346	1.142	0.551	0.453	0.551	0.551	0.866
6590 53-00	5/32	M10X1	0.346	1.142	0.551	0.413	0.551	0.551	0.866
6590 04-00	1/4	M14X1	0.492	1.319	0.638	0.453	0.669	0.669	0.925
6590 05-00	5/16	M16X1	0.571	1.417	0.689	0.453	0.748	0.748	0.925
6590 06-00	3/8	M18X1	0.622	1.614	0.787	0.512	0.866	0.866	1.024
6590 08-00	1/2	M20X1	0.740	1.555	0.756	0.571	0.945	0.945	1.083

**METRIC Tube Fittings**

**DIMENSIONS (in mm)**

Model	A	B	F	L	N	MAX	SW	SW1	T	Weight (g)
6590 4	4	M10x1	8.8	29	14	10.5	14	14	20	16
6590 5	5	M12x1	9.8	31	15	10.5	17	17	20	25
6590 6	6	M14x1	12.5	33	16	10.5	17	17	20	28
6590 8	8	M16x1	14.5	36	17.5	11.5	19	19	21	35
6590 10	10	M18x1	16.3	41.5	20.2	13	22	22	23.5	51
6590 12	12	M20x1	18.8	39.5	19.2	14.5	24	24	25	56
6590 14	14	M22x1	20.5	41.5	20.2	17.5	27	27	30	82

Fittings Model 6590 Micro

Bulkhead Union

**METRIC Tube Fittings**

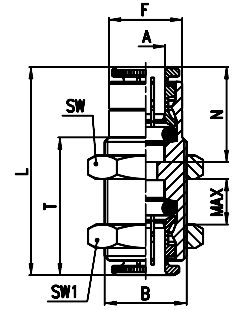
**DIMENSIONS (in mm)**

Model	A	B	F	L	MAX	T	Weight (g)
6590 3	3	M7x0.75	5.8	18.4	5	11.4	4

**INCH Tube Fittings**



6590

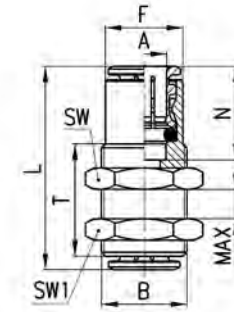


6590

**METRIC Tube Fittings**



6590

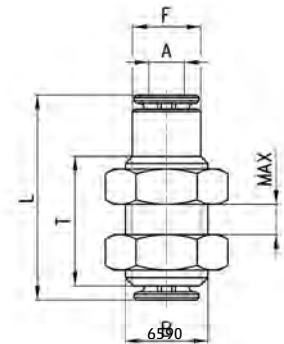


6590

**METRIC Tube Fittings**



6590



Fittings Model 6800

Plug-in Reducer

**INCH Tube Fittings**

**DIMENSIONS (in inches)**

Model	A OD	G STEM OD	C	F	L	T
6800 02-53	1/8	5/32	0.689	0.354	1.240	0.650
6800 02-04	1/8	1/4	0.610	0.354	1.161	0.709
6800 53-04	5/32	1/4	0.610	0.354	1.161	0.709
6800 53-06	5/32	3/8	0.689	0.379	1.220	0.906
6800 04-05	1/4	5/16	0.728	0.500	1.358	0.807
6800 04-06	1/4	3/8	0.827	0.500	1.457	0.906
6800 04-08	1/4	1/2	0.689	0.504	1.319	0.945
6800 05-06	5/16	3/8	0.787	0.551	1.496	0.906
6800 05-08	5/16	1/2	0.846	0.551	1.535	0.945
6800 06-08	3/8	1/2	0.787	0.650	1.575	0.945

**METRIC Tube Fittings**

**DIMENSIONS (in mm)**

Model	A	G	C	F	L	T	Weight (g)
6800 4-5	4	5	19	9	33	18	8
6800 4-6	4	6	15.5	9	29.5	18	9
6800 4-8	4	8	18	9	32	20.5	10
6800 5-6	5	6	19	10	34	18	11
6800 5-8	5	8	18	10	33	20.5	12
6800 6-8	6	8	18	12.7	34	20.5	12
6800 6-10	6	10	20.5	12.7	36.5	23	17
6800 6-12	6	12	17.5	12.7	33.5	24	21
6800 8-10	8	10	20.5	14	38	23	15
6800 8-12	8	12	21.5	14	39	24	22
6800 10-12	10	12	20.3	16.5	40.5	24	27
6800 10-14	10	14	24.3	16.5	44.5	28	33
6800 12-14	12	14	24.3	18.8	45.5	28	27

**METRIC Tube Fittings**

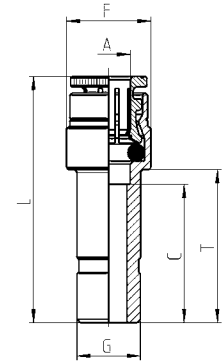
**DIMENSIONS (in mm)**

Model	A	F	G	L	T	Weight (g)
6800 3-4	3	5.8	4	26	16.5	2

**INCH Tube Fittings**



6800

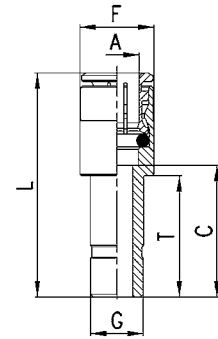


6800

**METRIC Tube Fittings**



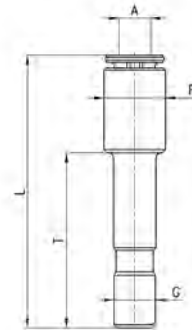
6800



6800



6800



6800

Fittings Model 6555...

Plug-In Elbow

**INCH Tube Fittings**

**DIMENSIONS (in inches)**

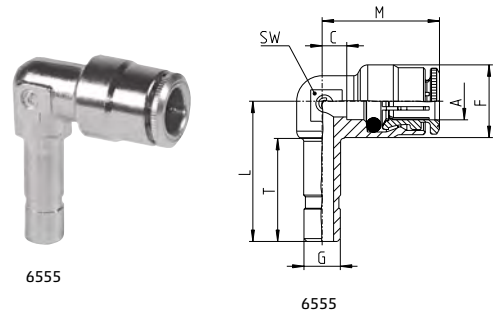
Model	A OD	G STEM OD	C	L	F	T	M	SW
6555 53-53	5/32	5/32	0.138	0.866	0.354	0.650	0.689	0.315
6555 04-04	1/4	1/4	0.157	0.965	0.500	0.709	0.787	0.354
6555 06-06	3/8	3/8	0.236	1.260	0.650	0.906	1.024	0.512

**METRIC Tube Fittings**

**DIMENSIONS (in mm)**

Model	A	G	C	L	F	T	M	SW	Weight (g)
6555 4-4	4	4	3.5	22	9	16.5	17.5	9	8
6555 6-6	6	6	4	24.5	12.7	18	20	9	14
6555 8-8	8	8	5	27.5	14.2	20	22.5	11	21
6555 10-10	10	10	5.8	32	16.5	23	26	13	26

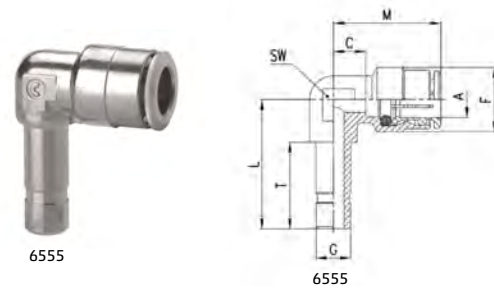
**INCH Tube Fittings**



6555

6555

**METRIC Tube Fittings**



6555

6555

Fittings Model 6850

Plug-in Expander

**INCH Tube Fittings**

**DIMENSIONS (in inches)**

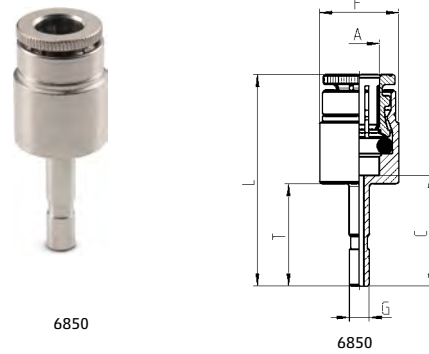
Model	A OD	G STEM OD	C	F	L	T
6850 04-53	1/4	5/32	0.709	0.500	1.299	0.650
6850 04-02	1/4	1/8	0.709	0.500	1.299	0.650
6850 06-04	3/8	1/4	0.748	0.650	1.535	0.709

**METRIC Tube Fittings**

**DIMENSIONS (in mm)**

Model	A	G	C	F	L	T	Weight (g)
6850 6-4	6	4	17.5	12.7	33.5	16.5	11
6850 8-6	8	6	19	14	36.5	18	15

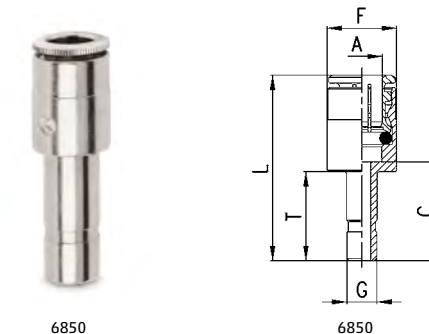
**INCH Tube Fittings**



6850

6850

**METRIC Tube Fittings**



6850

6850

Fittings Model 6950...

Double Stem Union

**INCH Tube Fittings**

**DIMENSIONS (in inches)**

Model	G STEM OD	L
6950 02-00	1/8	1.279
6950 53-00	5/32	1.279
6950 04-00	1/4	1.397
6950 05-00	5/16	1.594
6950 06-00	3/8	1.811
6950 08-00	1/2	1.889

**METRIC Tube Fittings**

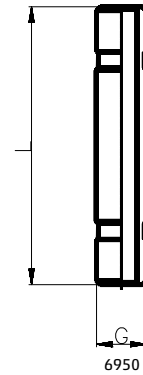
**DIMENSIONS (in mm)**

Model	G	L	Weight (g)
6950 4	4	32.5	3
6950 6	6	35.5	4
6950 8	8	40.5	7
6950 10	10	46	10
6950 12	12	48	13
6950 14	14	52	17

INCH Tube Fittings



6950

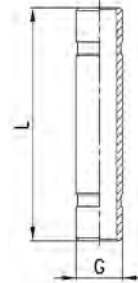


6950

METRIC Tube Fittings



6950



6950

Fittings Models 6810 and 6811...

Male Plug-in Stem

**INCH Tube Fittings**

**DIMENSIONS (in inches)**

Model	G STEM OD	D NPTF	H	T	L	SW
6810 02-02	1/8	1/8	.315	.649	1.141	.472
6810 02-04	1/8	1/4	.472	.649	1.319	.551
6810 53-02	5/32	1/8	.315	.649	1.141	.472
6810 53-04	5/32	1/4	.472	.649	1.319	.551
6810 04-02	1/4	1/8	.315	.708	1.200	.472
6810 04-04	1/4	1/4	.472	.708	1.378	.551
6810 05-02	5/16	1/8	.315	.807	1.299	.472
6810 05-04	5/16	1/4	.472	.807	1.476	.551
6810 06-04	3/8	1/4	.472	.905	1.575	.551
6810 06-06	3/8	3/8	.472	.905	1.575	.748
6810 08-06	1/2	3/8	.472	.944	1.614	.748
6810 08-08	1/2	3/8	.610	.944	1.772	.866

**METRIC Tube Fittings**

**DIMENSIONS (in mm)**

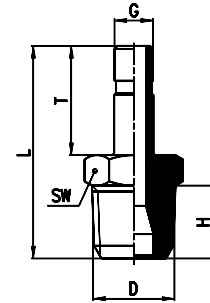
Model	G	D	H	T	L	SW	Weight (g)
6811 4-M5	4	M5	4	16.5	24.5	8	3 *
6811 4-1/8	4	G1/8	5.5	16.5	27.8	12	10
6811 5-1/8	5	G1/8	5.5	18	29.3	12	9
6811 5-1/4	5	G1/4	7	18	31	14	11
6811 6-1/8	6	G1/8	5.5	18	29.3	12	10
6811 6-1/4	6	G1/4	7	18	31	14	12
6811 8-1/8	8	G1/8	5.5	20.5	31.8	12	12
6811 8-1/4	8	G1/4	7	20.5	33.5	14	13
6811 10-1/4	10	G1/4	7	23	36	14	16
6811 10-3/8	10	G3/8	8	23	37.3	19	25
6811 12-3/8	12	G3/8	8	24	38.3	19	25
6811 14-1/2	14	G1/2	9	28	44	22	39

\* = with O-Ring

INCH Tube Fittings



6810

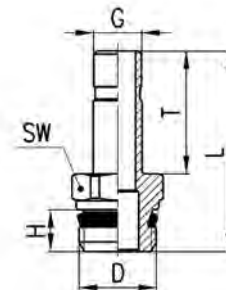


6810

METRIC Tube Fittings



6811



6811

Fittings Model 6700...

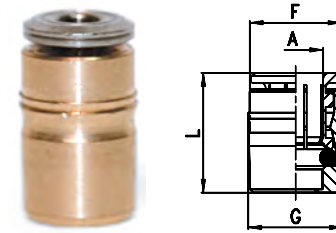
Cartridge

The Dimension 'H2' for the press-tool should be noted and followed, which creates a specific mechanical stop. This serves the purpose of avoiding, (in case of any excessive insertion force used), damage to the collet body, shape or design. Without which, could lead to some damage or distortion of the collet bite/release ring.

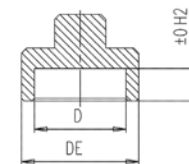
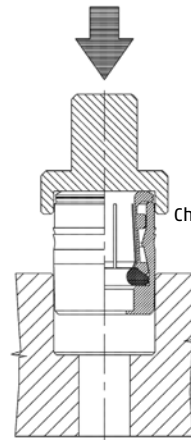
Surface Finish of the gland seat required : Ra <= 0.8 microns.

Final Fit and Finish requires that the top most ridge/bite-ring of the cartridge body be at least 1 mm below the surface of the gland chamfer.

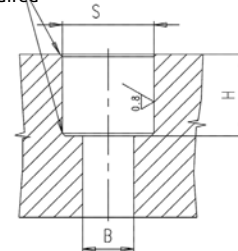
- \* Hole tolerances: +0, -0.002 (in.)
- \* For plastic (non-metal) manifolds, reduce all hole dimensions "S" by 0.02 mm (0.001 in.)
- \* INSTALLATION: Drill or bore hole per specifications per size of cartridge (dimensions H and S).
- \* Smooth or ream hole dimensions to hole tolerances.
- \* Simply press fit cartridge into hole with an evenly distributed force over the top surface.
- \* Removal of the collet ring is not necessary.
- \* Cartridge fittings are useful for installations in various manifolds and/or distribution blocks when drilling and tapping are not desirable.



Insertion Force - KG



0.5 x 45° Chamfer Required



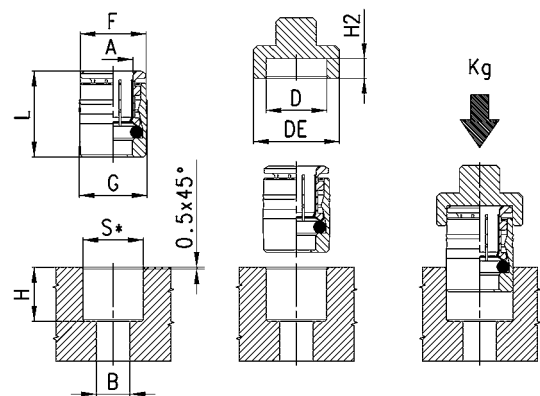
Gland Width "S" Tolerances  
+ .0"/ - .002" Metal Seat Tolerance

PUSH-IN FITTINGS

INCH Tube Fittings												
DIMENSIONS (in inches)												
Model	A OD	F	G	L	S	H	B	Insertion Force		D	H2	DE
								Kg. Min	Kg. Max			
6700 02-00	1/8	0.339	0.346	0.571	0.344	0.453	0.138	200	360	0.347	0.129	0.551
6700 53-00	5/32	0.339	0.346	0.571	0.344	0.433	0.138	200	360	0.347	0.129	0.551
6700 04-00	1/4	0.465	0.472	0.669	0.470	0.472	0.158	160	570	0.472	0.149	0.669
6700 05-00	5/16	0.543	0.551	0.709	0.549	0.551	0.236	140	400	0.551	0.129	0.748
6700 06-00	3/8	0.622	0.630	0.807	0.628	0.649	0.315	150	650	0.630	0.138	0.827
6700 08-00	1/2	0.740	0.748	0.776	0.746	0.610	0.413	150	650	0.748	0.138	0.945



METRIC Tube Fittings													
DIMENSIONS (in mm)													
Model	A	B	D	DE	F	G	H	H2	L	S*	Insertion Force		Weight (g)
											P min (Kg)	P max (Kg)	
6700 3	3	2	-	-	5.9	6.2	6.3	-	9.2	6	-	-	1
6700 4	4	3.5	8.8	14	8.6	9	11	3.3	14.5	8.75	200	360	4
6700 5	5	3.5	9.8	15	9.6	10	11.5	3.3	15.5	9.75	200	360	5
6700 6	6	4	12	17	11.8	12.2	12	3.8	16.5	11.95	160	570	8
6700 8	8	6	14	19	13.8	14.2	14	3.3	18	13.95	140	400	11
6700 10	10	8	16	21	15.8	16.2	16.5	3.5	20.5	15.95	150	650	15



\*S = metallic (+0.01, -0.04)

\*For the Ø3 Cartridge, Chamfer 0.3 x 30°



Fittings Model 6750

Tube Cap

**INCH Tube Fittings**

**DIMENSIONS (in inches)**

Model	A OD	G	L
6750 53-00	5/32	0.346	0.610
6750-04-00	1/4	0.472	0.669
6750 06-00	3/8	0.602	0.827
6750 08-00	1/2	0.717	0.787

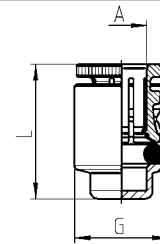
**METRIC Tube Fittings**

**DIMENSIONS (in mm)**

Model	A	G	L	Weight (g)
6750 4	4	8.8	15	4
6750 6	6	11.8	17	7
6750 8	8	13.8	18.5	9
6750 10	10	15.8	21	12
6750 12	12	17.8	20	15



6750

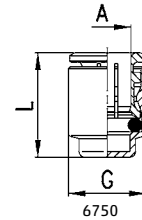


6750

**METRIC Tube Fittings**



6750



6750

Fitting Protection Cap Model 6708

Color: Black  
Self-extinguishing material, class V0

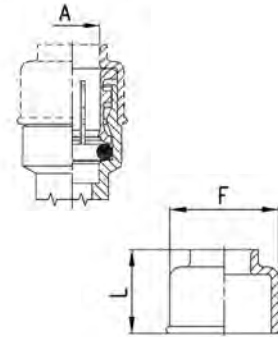
**METRIC Tube Fittings**

**DIMENSIONS (in mm)**

Model	A	F	L	Weight (g)
6708 4	4	10.7	10.7	1
6708 5	5	11.7	11	1
6708 6	6	13.7	11.5	1
6708 8	8	15.7	12.5	1
6708 10	10	18.5	13	1
6708 12	12	20.7	15	2
6708 14	14	23.7	15	2



6708



6708

Fittings Model 6900...

Plug (Nylon®)

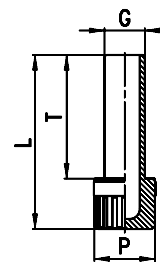
**INCH Tube Fittings**

**DIMENSIONS (in inches)**

Model	G STEM OD	L	P	T
6900 02-00	1/8	1.063	.236	.787
6900 53-00	5/32	1.141	.315	.787
6900 04-00	1/4	1.240	.315	.885
6900 05-00	5/16	1.358	.472	.964
6900 06-00	3/8	1.456	.472	1.063
6900 08-00	1/2	1.594	.630	1.122



6900



6900

**METRIC Tube Fittings**

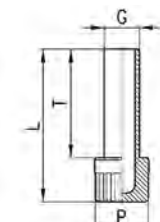
**METRIC Tube Fittings**

**DIMENSIONS (in mm)**

Model	G	L	P	T	Weight (g)
6900 3	3	20.5	6	13.5	1
6900 4	4	29	8	20	1
6900 5	5	29.5	8	20.5	1
6900 6	6	31.5	8	22.5	1
6900 8	8	34.5	12	24.5	2
6900 10	10	37	12	27	2
6900 12	12	40.5	16	28.5	3
6900 14	14	42.5	16	30.5	3



6900



6900

Fittings Model 1631-01...

Stud Manifold

**INCH Tube Fittings**

**DIMENSIONS (in inches)**

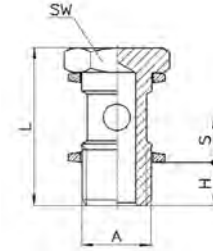
Model	A	H	L	S	SW
UNF					
1631 01-32	10-32	.157	.708	.177	.315
NPTF*					
1631 01-02	1/8	.236	1.063	.335	.551
1631 01-04	1/4	.354	1.161	.335	.669
1631 01-06	3/8	.354	1.181	.335	.748

**METRIC Tube Fittings**

**DIMENSIONS (in mm)**

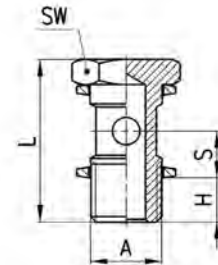
Model	A	H	L	S	SW	Weight (g)
1631 01-M5	M5	4	18	5.5	8	3
1631 01-1/8	G1/8	6	27	8.5	14	13
1631 01-1/4	G1/4	8	29.5	8.5	17	24
1631 01-3/8	G3/8	8	30	8.5	19	35
1631 01-1/2	G1/2	9	31	8.5	27	63

**NPTF Threads**



\*NPTF 2520 Adapters included

**BSP Threads**



Single Banjo Stem

Assembled with banjo fittings Model 6610; 6620; 1610; 1620; 2023; 1170

Fittings Model 1635 02

Single Long Banjo Stem

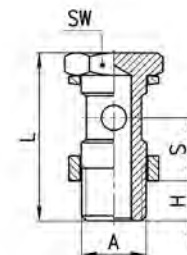
Assembled with banjo fittings Model 6610; 6620; 1610; 1620; 2023; 1170

**METRIC Tube Fittings**

**DIMENSIONS (in mm)**

Model	A	H	L	S	SW	Weight (g)
1635 01-1/8	G1/8	6	31	12.5	14	15
1635 01-1/4	G1/4	8	33.5	12.5	17	27
1635 01-3/8	G3/8	8	34	12.5	19	37
1635 01-1/2	G1/2	9	35	12.5	27	71
1635 01-M12x1.25	M12x1.25	8	33.5	12.5	17	27 *
1635 01-M12x1.5	M12x1.5	8	33.5	12.5	17	27 *

**BSP Threads**



\* = models that must be assembled with 1/4 banjo fittings

**Fittings Model 1631-02...**

Double Stud Manifold

Assembled with banjo fittings Model 6610; 6620; 1610; 1620; 2023; 1170

**NPTF THREADS**

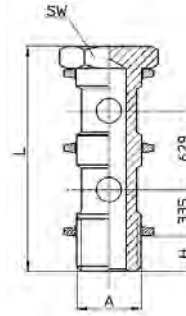
**DIMENSIONS (in inches)**

Model	A	H	L	SW
	NPTF*			
1631 02-02	1/8	.236	1.692	.551
1631 02-04	1/4	.315	1.791	.669
1631 02-06	3/8	.354	1.811	.748



\*NPTF 2520 Adapter included

**NPTF Threads**



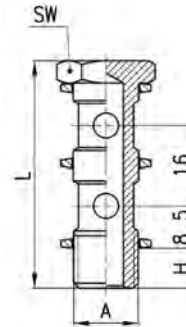
**BSP THREADS**

**DIMENSIONS (in mm)**

Model	A	H	L	SW	Weight (g)
1631 02-1/8	G1/8	6	43	14	18
1631 02-1/4	G1/4	8	45.5	17	33
1631 02-3/8	G3/8	8	46	19	48



**BSP Threads**



**Fittings Model 1635 02**

Double Long Banjo Stem

Assembled with banjo fittings Model 6610; 6620; 1610; 1620; 2023; 1170

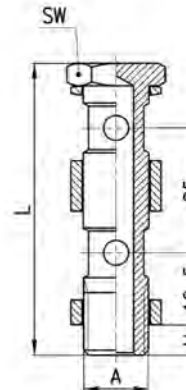
**BSP THREADS**

**DIMENSIONS (in mm)**

Model	A	H	L	SW	Weight (g)
1635 02-1/8	G1/8	6	56	14	26
1635 02-1/4	G1/4	8	58.5	17	33
1635 02-3/8	G3/8	8	59	19	64
1635 02-1/2	G1/2	9	60	27	111



**BSP Threads**

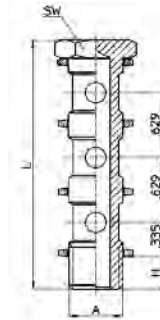


Fittings Model 1631-03...

Triple Stud Manifolds

NPTF Threads

NPTF THREADS				
DIMENSIONS (in inches)				
Model	A	H	L	SW
	NPTF*			
1631 03-02	1/8	.236	2.322	.551
1631 03-04	1/4	.315	2.421	.669
1631 03-06	3/8	.354	2.440	.748

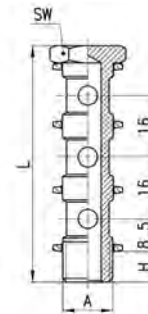


\*NPTF 2520 Adapters included

BSP THREADS					
DIMENSIONS (in mm)					
Model	A	H	L	SW	Weight (g)
1631 03-1/8	G1/8	6	59	14	24
1631 03-1/4	G1/4	8	61.5	17	42
1631 03-3/8	G3/8	8	62	19	62



BSP Threads



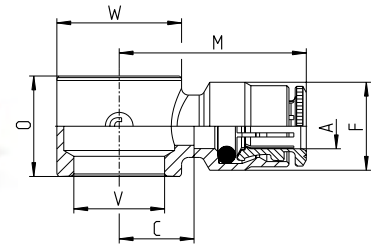
Assembled with banjo fittings Model 6610; 6620; 1610; 1620; 2023; 1170

Fittings Model 6610 assembled with Model 1631, 1635

Single Banjo

INCH Tube Fittings

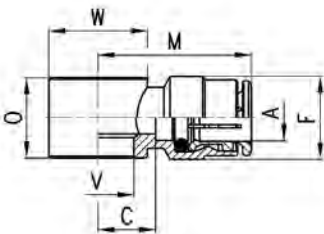
INCH Tube Fittings								
DIMENSIONS (in inches)								
Model	A OD	V	C	F	M	O	V	W
6610 53-32	5/32	10-32	0.197	0.346	0.748	0.354	0.197	0.346
6610 02-02	1/8	1/8	0.295	0.354	0.846	0.571	0.382	0.551
6610 53-02	5/32	1/8	0.335	0.394	0.886	0.571	0.382	0.551
6610 04-02	1/4	1/8	0.327	0.500	0.965	0.571	0.382	0.551
6610 04-04	1/4	1/4	0.406	0.500	1.043	0.571	0.516	0.709
6610 06-04	3/8	1/4	0.354	0.650	1.142	0.571	0.516	0.709
6610 06-06	3/8	3/8	0.413	0.650	1.201	0.571	0.657	0.827



METRIC Tube Fittings								
DIMENSIONS (in mm)								
Model	A	C	F	M	O	V	W	Weight (g)
6610 4-M5	4	5	9	19	9	5.1	∅9	9
6610 4-M6	4	5	9	19	9	5.1	∅9	8
6610 4-1/8	4	7.5	9	21.5	14.5	9.8	∅14	14
6610 5-M5	5	5	10	20	9	5.1	∅9	9
6610 5-M6	5	5	10	20	9	5.1	∅9	8
6610 5-1/8	v	8	10	23	14.5	9.8	∅14	16
6610 6-M5	6	6.5	12.7	22.5	9	5.1	∅10	12
6610 6-M6	6	6.5	12.7	22.5	9	5.1	∅10	12
6610 6-1/8	6	8	12.7	24	14.5	9.8	∅14	16
6610 6-1/4	6	10	12.7	26	14.5	13.2	∅18	19
6610 8-1/8	8	8	14.2	25.5	14.5	9.8	∅14	19
6610 8-1/4	8	10	14.2	27.5	14.5	13.2	∅18	22
6610 8-3/8	8	11	14.2	28.5	14.5	16.7	∅21	23
6610 10-1/4	10	8.8	16.5	29	14.5	13.2	∅18	22 *
6610 10-3/8	10	10.3	16.5	30.5	14.5	16.7	∅21	23 *
6610 12-1/2	12	12.8	16.5	32	14.5	21	∅26	37 *



METRIC Tube Fittings



= assembly required with Model SCU, SVU, SCO... M5 only  
 \* = they cannot be assembled with Model 1631, use 1635 instead