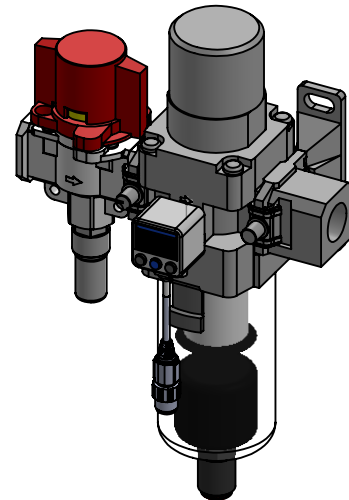
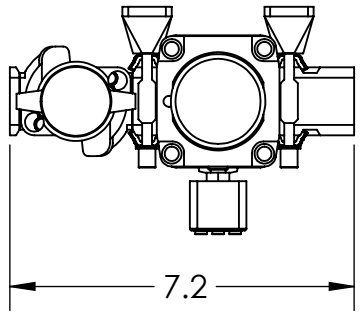


2

1

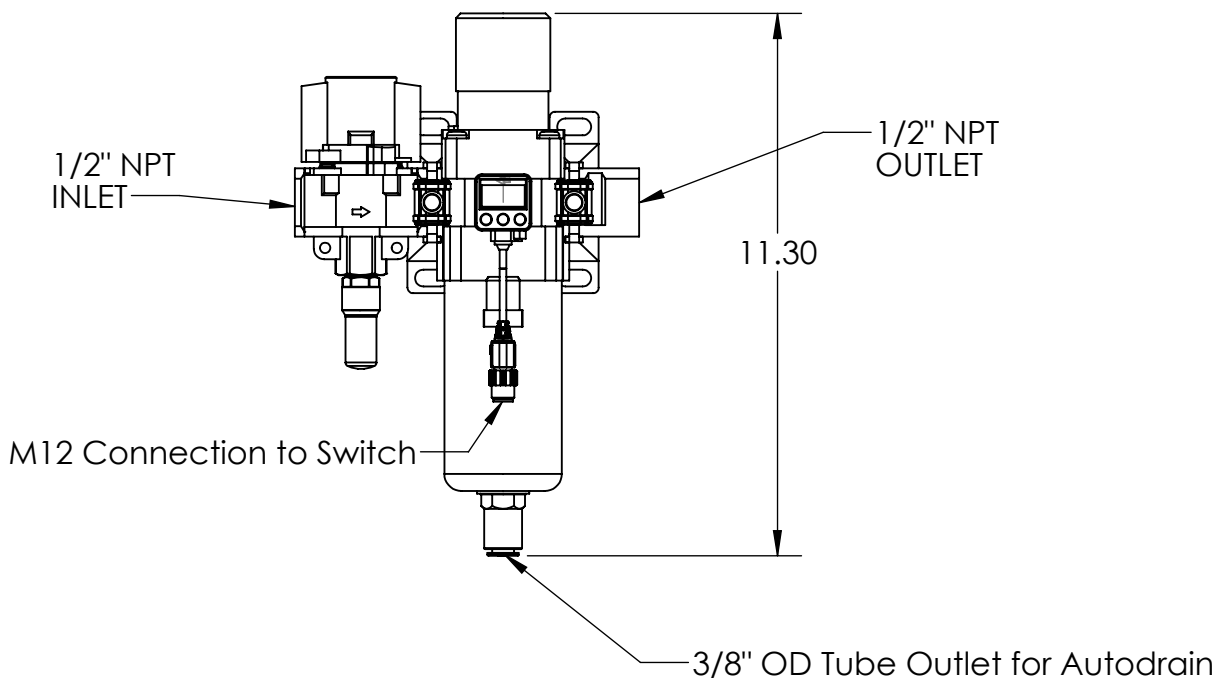
B

B



A

A



PROPRIETARY AND CONFIDENTIAL

THE INFORMATION CONTAINED IN THIS DRAWING IS THE SOLE PROPERTY OF SCOTT EQUIPMENT COMPANY, INC.. ANY REPRODUCTION IN PART OR AS A WHOLE WITHOUT THE WRITTEN PERMISSION OF SCOTT EQUIPMENT COMPANY, INC. IS PROHIBITED.

UNLESS OTHERWISE SPECIFIED DIMENSIONS ARE IN INCHES AND THE FOLLOWING TOLERANCES APPLY:

DECIMAL	INCHES [mm]
.0	±.05 [±1.40]
.00	±.010 [±0.25]
.000	±.005 [±0.13]

FRACTIONAL: ±1/32
ANGULAR: ±1/2°

INTERPRET GEOMETRIC TOLERANCING PER:

MATERIAL

FINISH

DO NOT SCALE DRAWING

Scott
EQUIPMENT

10800 TWIN LAKES PARKWAY
CHARLOTTE, NC 28269

	NAME	DATE
DRAWN	JS	8/30/17
CHECKED	JM	8/30/17

TITLE: SEC STANDARD AIR PREP ASSEMBLY		
SIZE A	DWG. NO. SP-APA-N04-DG	REV A
SCALE: 1:4	WEIGHT:	SHEET 2 OF 7

2

1