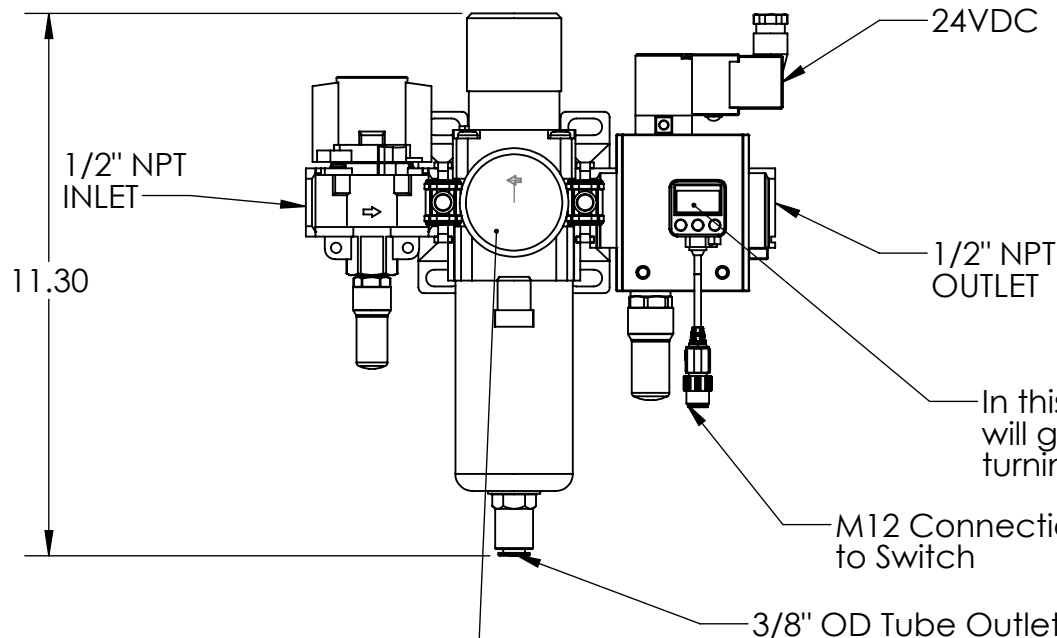
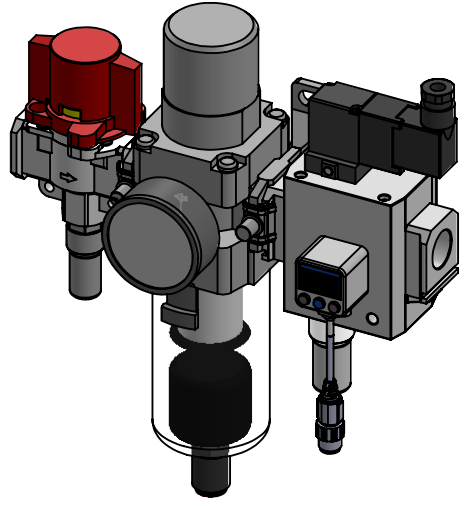
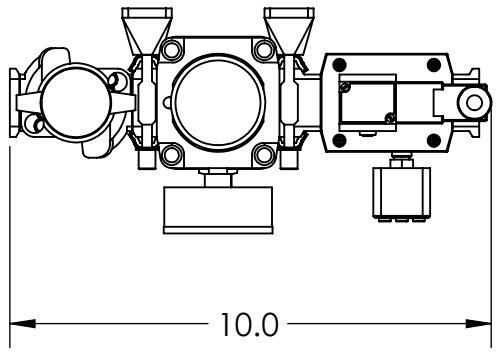


2

1

B

B



In this configuration the digital gauge / pressure switch will give you an output after pressure is restored by turning on the start / stop / quick exhaust.

Standard gauge for viewing regulator set pressure.

A

A



TITLE:
SEC STANDARD AIR PREP ASSEMBLY

10800 TWIN LAKES PARKWAY
CHARLOTTE, NC 28269

SIZE A	DWG. NO. SP-APA-N04-SG-AV-DG	REV A
------------------	---------------------------------	-----------------

PROPRIETARY AND CONFIDENTIAL
THE INFORMATION CONTAINED IN THIS DRAWING IS THE SOLE PROPERTY OF SCOTT EQUIPMENT COMPANY, INC.. ANY REPRODUCTION IN PART OR AS A WHOLE WITHOUT THE WRITTEN PERMISSION OF SCOTT EQUIPMENT COMPANY, INC. IS PROHIBITED.

UNLESS OTHERWISE SPECIFIED DIMENSIONS ARE IN INCHES AND THE FOLLOWING TOLERANCES APPLY:
DECIMAL INCHES [mm]
.0 ±.055 [±1.40]
.00 ±.010 [±0.25]
.000 ±.005 [±0.13]
FRACTIONAL: ±1/32
ANGULAR: ±1/2°

INTERPRET GEOMETRIC TOLERANCING PER:
MATERIAL
FINISH
DO NOT SCALE DRAWING

	NAME	DATE
DRAWN	JS	4/18/18
CHECKED	JM	4/18/18

SCALE: 1:4 WEIGHT: SHEET 5 OF 7

2

1